

Diode Pumped Laser Modules

50W Module

DPL Series modules from HTOE are the ideal engines to drive DPSS laser systems. With a variety of rod diameter, rod length and diode bar count options, these gain modules have served to be used in both resonator and amplifier designs. DPL Series provides CW output powers from 50W to 300W range, and special designs according to customers' unique demand, with the ability to provide more than 1000W products.

- DPSS Nd:YAG Laser Modules
- Standard output power up to 300W
- Over 10,000 laser modules in the field

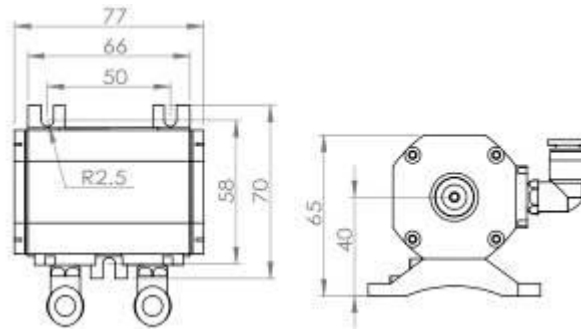


Parameters (20°C)

50W DPL Module			
Parameters		Unit	50W(50E)
Optical Parameter	CW Output power	W	≥ 50
	Center Wavelength	nm	1064
	Emitting height	mm	40/45
Electrical Parameter	Threshold Current I_{th}	A	≤ 8
	Operating Current I_o	A	≤ 20
	Operating Voltage	V	≤ 24
Optical Parameter	Operating Temperature	°C	21±3
	Storage Temperature	°C	5 ~ 50
	Flow Rate	LMP	4 ~ 6
	Water Pressure	MPa	0.3~0.6
Others	Crystal Rod Size	mm	Φ3*67
	Weight	kg	≤ 1.0



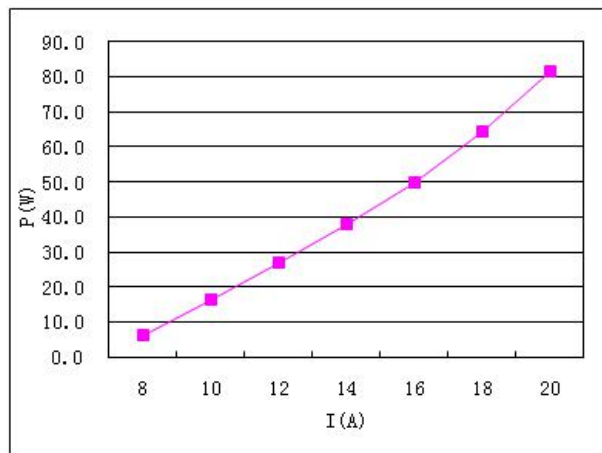
Package Information



50W (50E)

Function Curve

The curve data are measured under the following test conditions: Cavity length 450mm, output mirror transmission 20%, while operating temperature 20°C.



50W (50E)

Notice

1. The above function curves are for reference only, please see the test data attached to the module as criterion;
2. For more information, please contact Hi-Tech Optoelectronics Co., Ltd.

