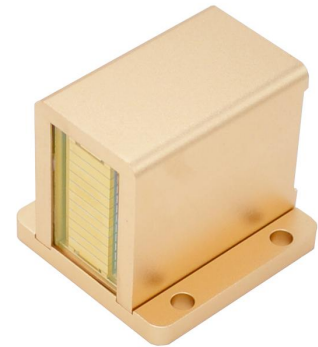


Semiconductor Laser

Diode Laser Arrays for Hair Removal

The vertical arrays specially designed for hair removal application, can stack up to 10 packaged laser bars to form a high power diode laser assembly. Each of these laser bars individually provides up to 100watts in CW mode. The small gaps between the laser bars make the module obtain maximum brilliance from the arrays, enabling the module to work with high efficiency.

- Power up to 1000W
- Compact designs
- Reliable package with hard solder

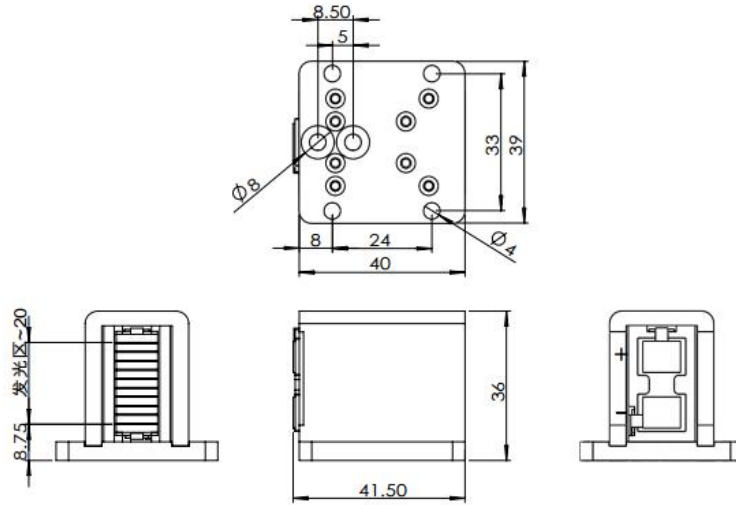


Specifications (20°C)

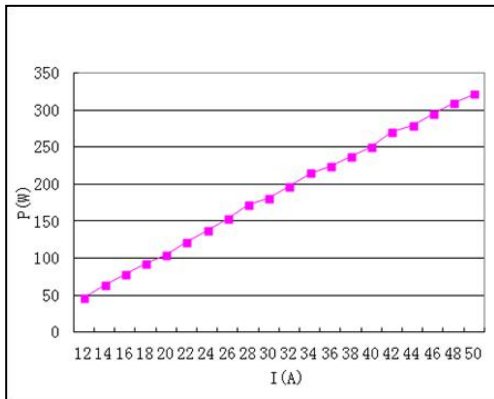
Diode Laser Arrays for Hair Removal					
Parameters	Unit	LDAQ2-0808-****			
Operation Mode	-	QCW			
Center Wavelength	nm	808 ± 10	808 ± 10	808 ± 10	808 ± 10
Output Power	W	300	500	800	1000
Bar Numbers	-	5/ 6	10	8	10
Operating Current	A	≤50	≤50	≤100	≤100
Operating Voltage	V/bar	≤2	≤2	≤2	≤2
Pulse Width	ms	≤400	≤400	≤200	≤200
Duty Cycle	%	≤40	≤40	≤20	≤20
Bar pitch	mm	2	2	2.8	2.8
Emitting Area	mm×mm	10×11	10×19.5	10×20	10×25.5
Operating Temp.	°C	15 ~ 35			
Storage Temp.	°C	-10 ~ 50			
Flow Rate	L/min	>4			



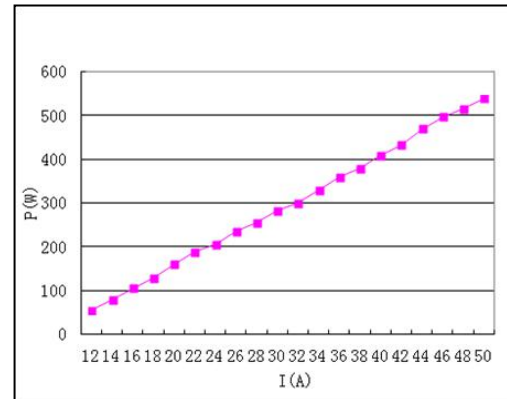
Package Information



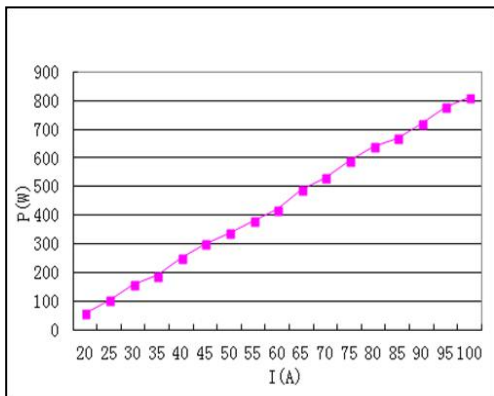
Function Curve



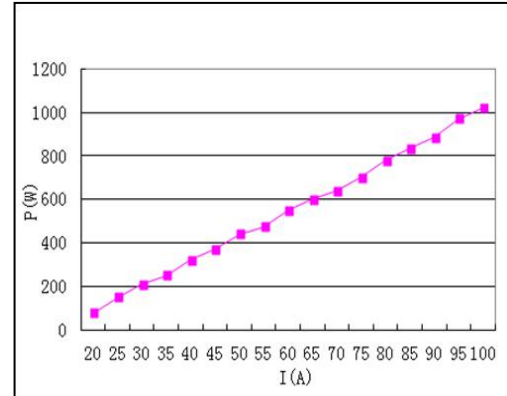
300W Array



500W Array



800W Array



1000W Array



Notice

1. Item model notice: LDAQ2 (item model) - 0808 (center wavelength)-**** (output power).
2. Package data is only for reference, which can be customized according to clients' designed drawings.
3. Output power could be customized by customers' requirements.
4. Please make sure laser diode is operated under the temperature between 15°C and 35°C, as high temperature will increase threshold current, decrease exchange rate and accelerate the aging.
5. Please take measures to avoid condensation, which will cause aging of laser diode.
6. For more information, please contact Hi-Tech Optoelectronics Co., Ltd.

