

Diode Laser Packaged Bars and Arrays

Micro-channel Water-cooled Vertical Arrays (CW)

LDA series high power packaged bars provide OEM customers with scalable power up to kilowatts for pumping, industrial, medical and applications. The packaged laser bars can be configured for enhanced brightness through stacking, scaled linearly or vertically for optimized light and material integration. LDA series offer

- Wavelengths at 808nm to 1100nm range
- Up to 100W CW and 300W QCW laser diode bars for high brightness
- Modular and Compact design for ease of integration
- Packaged 10mm laser diode bar, various standard bar configurations (custom bar configurations available on request)

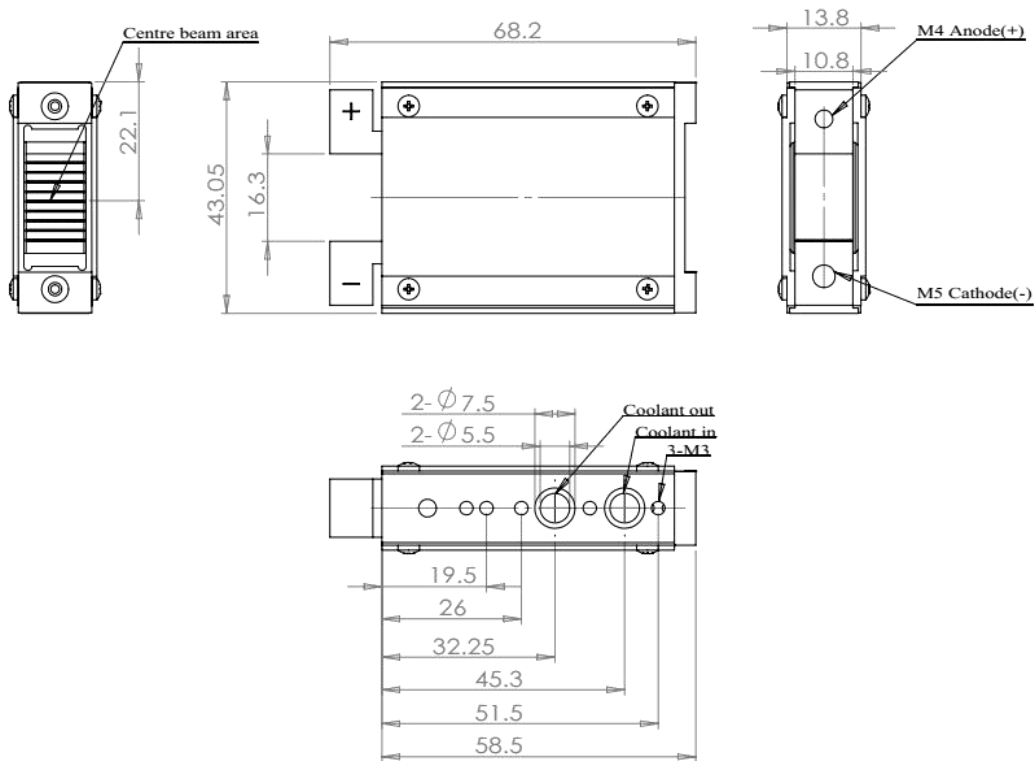


Parameters (25°C)

| Micro-channel Water-cooled Vertical Arrays | | | | | | | | | | | |
|--|------------------------------|-------|-----------------|-----|-----|------|-----------------|-----|-----|------|-----------------|
| Parameter | | Unit | LDAC2-0808-**** | | | | LDAC2-09xx-**** | | | | LDAC2-1064-040W |
| Optical Parameter | Operation Mode | - | CW | | | | | | | | |
| | Center Wavelength | nm | 808 | | | | 915/940/980 | | | | 1064 |
| | Output Power/Bar | W | 40 | 60 | 80 | 100 | 40 | 60 | 80 | 100 | 40 |
| | Bar Qty. | - | 5/9/16 | | | | 5/9/16 | | | | 5/9/16 |
| | Bar Space | mm | 1.8 | | | | 1.8 | | | | 1.8 |
| | Spectral Width | nm | < 5 | | | | < 5 | | | | < 5 |
| | Fast Axis Divergence | deg | < 39 | | | | < 39 | | | | < 39 |
| | Slow Axis Divergence | deg | < 10 | | | | < 10 | | | | < 10 |
| Electrical Parameter | Threshold Current | A | <7 | <15 | <25 | <25 | <7 | <15 | <25 | <25 | <7 |
| | Operating Current | A | <40 | <70 | <95 | <110 | <40 | <70 | <95 | <110 | < 50 |
| | Operating Voltage/Bar | V | < 2.0 | | | | < 2.0 | | | | < 2.0 |
| Thermal Parameter | Max. Inlet Pressure | psi | 65 | | | | 65 | | | | 65 |
| | Cooling rate/Bar | l/min | ≥ 0.3 | | | | ≥ 0.3 | | | | ≥ 0.3 |
| | Cooling Medium Particle size | μm | ≤ 15 | | | | ≤ 15 | | | | ≤ 15 |
| | Cooling Medium Conductivity | μs/cm | 5 ~ 10 | | | | 5 ~ 10 | | | | 5 ~ 10 |
| | Operating Temp. | °C | 15 ~ 35 | | | | 15 ~ 35 | | | | 15 ~ 35 |
| | Storage Temp. | °C | -10 ~ 60 | | | | -10 ~ 60 | | | | -10 ~ 60 |



Package Information



Notice

1. Item model notice: LDAC2 (item model)-0808 (center wavelength)-**** (output power).
2. Package data is only for reference, which can be customized according to client's designed drawings.
3. Please make sure laser diode is operated under the temperature between 15°C and 35°C, as high temperature will increase threshold current, decrease exchange rate and accelerate the aging.
4. Please take measures to avoid condensation, which will cause aging of laser diode.
5. For more information, please contact Hi-Tech Optoelectronics Co., Ltd.

