

Diode Laser Packaged Single Emitters

980nm 5W (ms pulse)

LDM series packaged single emitters are Fabry-Perot cavity semiconductor lasers based on Quantum-well epitaxy and ridge waveguide structure design. HTOE packaged single emitters provide excellent reliability and performance.

- Center wavelength includes 635nm, 650nm, 670nm, 785nm, 808nm, 830nm, 9xxnm and 1064 nm
- Package designs include TO mounts, CoS mounts, C-mounts and F-mounts
- Provide beam shaping services like fast-axis compression according to customer demands

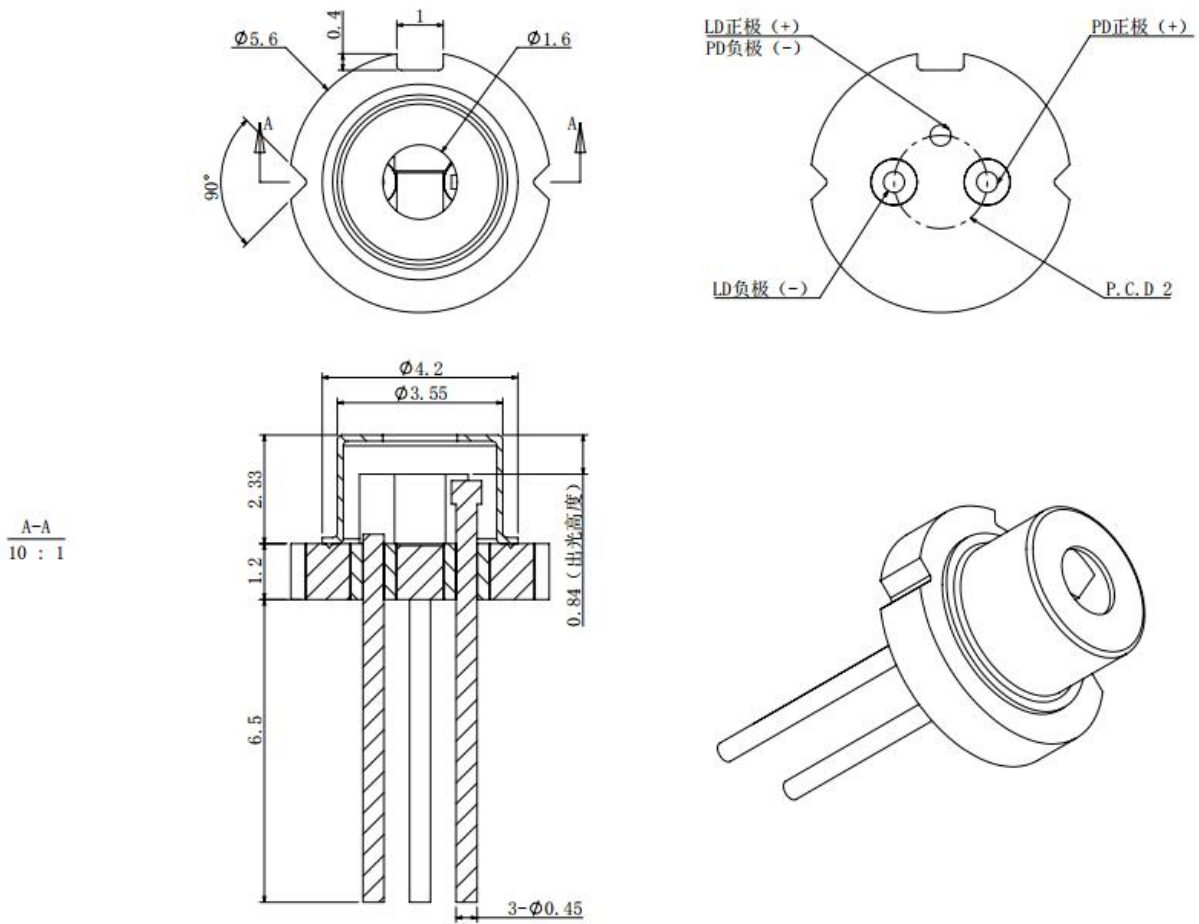


Parameters (20°C)

TOØ56 Packaged Single Emitter					
Item	Parameter	Unit	LDMP-0980-005W-*4		
			Min.	Typical	Max.
Optical Parameter	Output power	W	-	5 (ms pulse)	-
	Lasing Wavelength	nm	970	980	990
	Spectral Width	nm	-	1.80	3.00
	Emitting Area width	µm	-	150	-
	Temperature Coefficient	nm/°C	-	0.3	-
	Fast Axis Divergence	deg (cw-5w)	-	25	30
	Slow Axis Divergence	deg (cw-5w)	-	10	15
	Pulse Width	ms	0	10	-
	Pulse Frequency	Hz	0	10	-
Electrical Parameter	Slope Efficiency	W/A	0.90	1.00	-
	Threshold Current	A	-	0.50	1.00
	Operating Current	A	-	5.50	5.80
	Operating Voltage	V	-	2.20	3.00
Others	Package	-	TOØ56		
	Operating Temperature	°C	10 ~ 50		
	Storage Temperature	°C	-10 ~ 60		

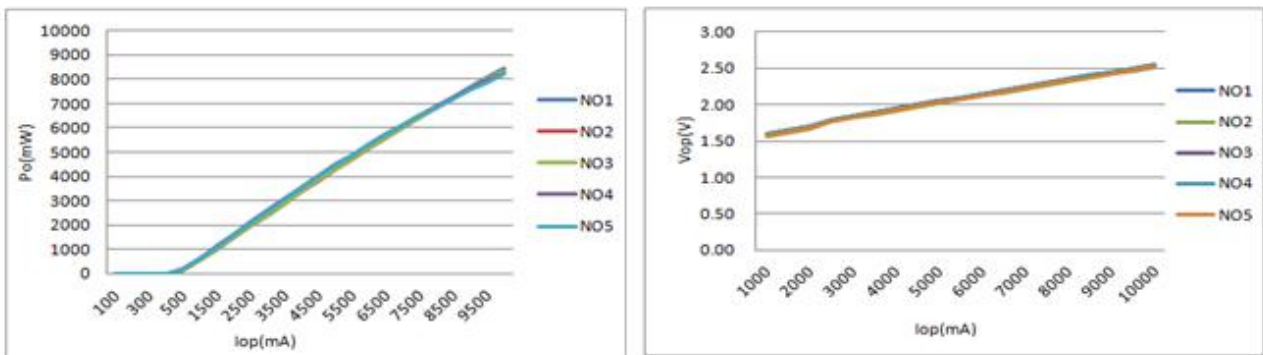


Package Information



T056 Package

Function Curve



P-I-V Curve



Notice

1. Item model notice: LDMP (Item model), **** (Center wavelength), **** (Output power), ** (Heat sink structure and item width).
2. Data in the sheet are all based on TO \emptyset 56 package testing.
3. For more information, please contact Hi-Tech Optoelectronics Co., Ltd.

