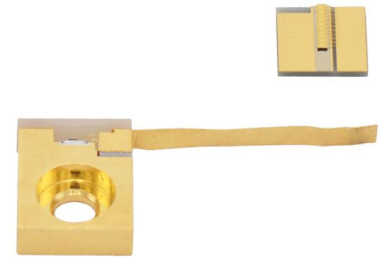


Diode Laser Packaged Single Emitters

980nm 3W

LDM series packaged single emitters are Fabry-Perot cavity semiconductor lasers based on Quantum-well epitaxy and ridge waveguide structure design. HTOE packaged single emitters provide excellent reliability and performance.

- Center wavelength includes 635nm, 650nm, 670nm, 785nm, 808nm, 830nm, 9xxnm and 1064 nm
- Package designs include TO mounts, CoS mounts, C-mounts and F-mounts
- Provide beam shaping services like fast-axis compression according to customer demands

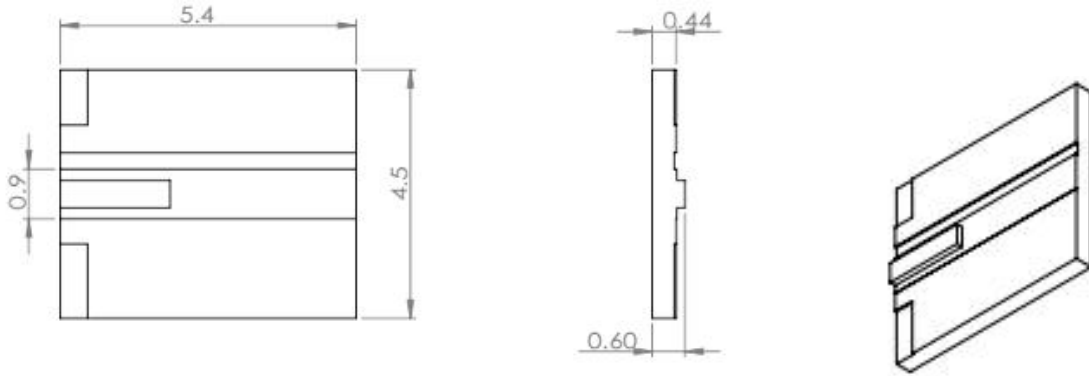


Parameters (20°C)

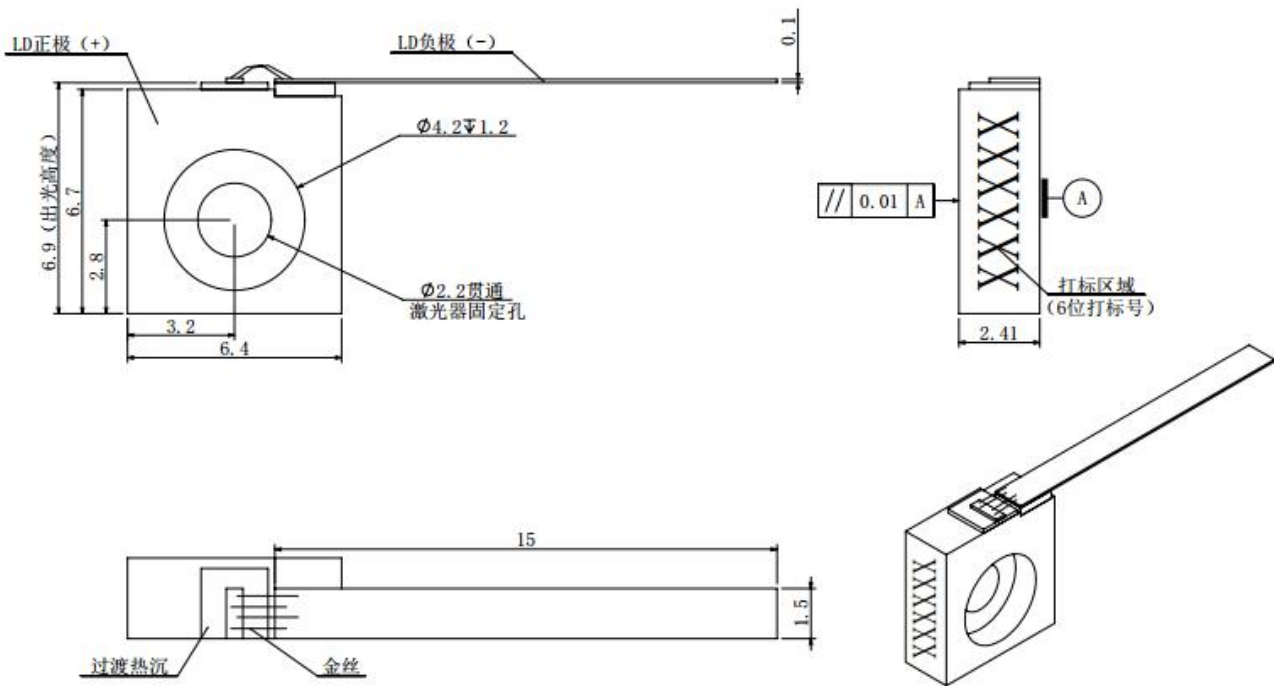
| CoS/C-Mount Packaged Single Emitter | | | |
|-------------------------------------|-------------------------|-------|------------------|
| | Parameter | Unit | LDM-0980-003W-*4 |
| Optical Parameter | Output power | W | 3 |
| | Lasing Wavelength | nm | 980±10 |
| | Spectral Width | nm | ≤3 |
| | Emitting Area width | μm | 150 |
| | Temperature Coefficient | nm/°C | 0.30 |
| | Fast Axis Divergence | deg | < 40 |
| | Slow Axis Divergence | deg | < 10 |
| Electrical Parameter | Slope Efficiency | W/A | ≥1.00 |
| | Threshold Current | A | ≤0.75 |
| | Operating Current | A | ≤3.60 |
| | Operating Voltage | V | ≤2.00 |
| Others | Package | - | CoS/C-Mount |
| | Operating Temperature | °C | 15 ~ 30 |
| | Storage Temperature | °C | -40 ~ 60 |
| | Welding Temperature | °C | ≤260 |



Package Information



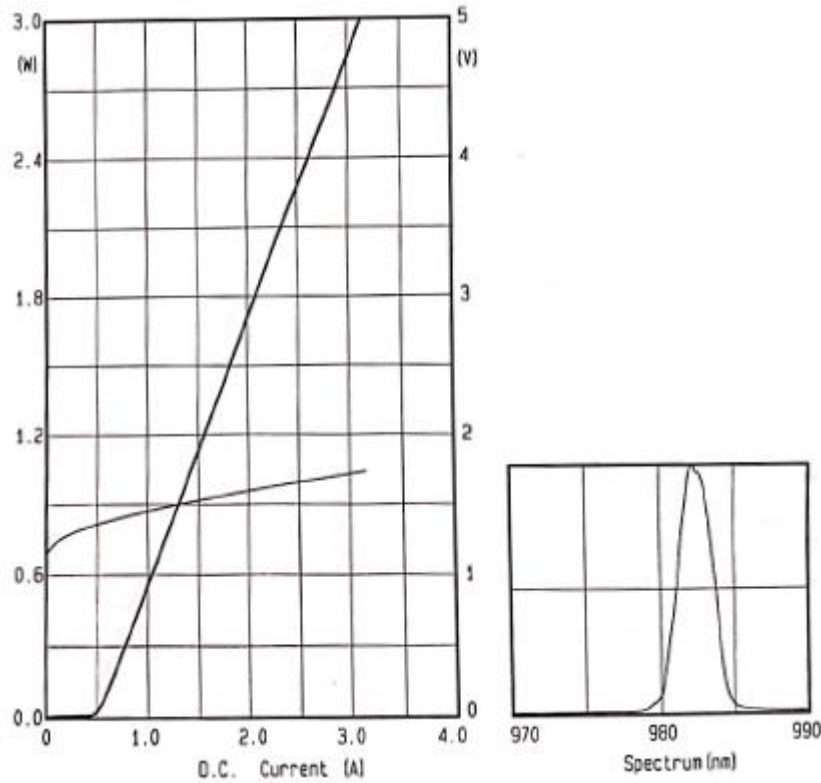
CoS Package



C-Mount Package



Function Curve



P-I-V Curve

Spectral Curve

Notice

1. Item model notice: LDM (Item model), **** (Center wavelength), **** (Output power), ** (Heat sink structure and item width).
2. Data in the sheet are all based on C-mount package heat sink testing.
3. For more information, please contact Hi-Tech Optoelectronics Co., Ltd.

