

## Diode Laser Packaged Single Emitters

### 915nm 10W

LDM series packaged single emitters are Fabry-Perot cavity semiconductor lasers based on Quantum-well epitaxy and ridge waveguide structure design. HTOE packaged single emitters provide excellent reliability and performance.

- Center wavelength includes 635nm, 650nm, 670nm, 785nm, 808nm, 830nm, 9xxnm and 1064 nm
- Package designs include TO mounts, CoS mounts, C-mounts and F-mounts
- Provide beam shaping services like fast-axis compression according to customer demands

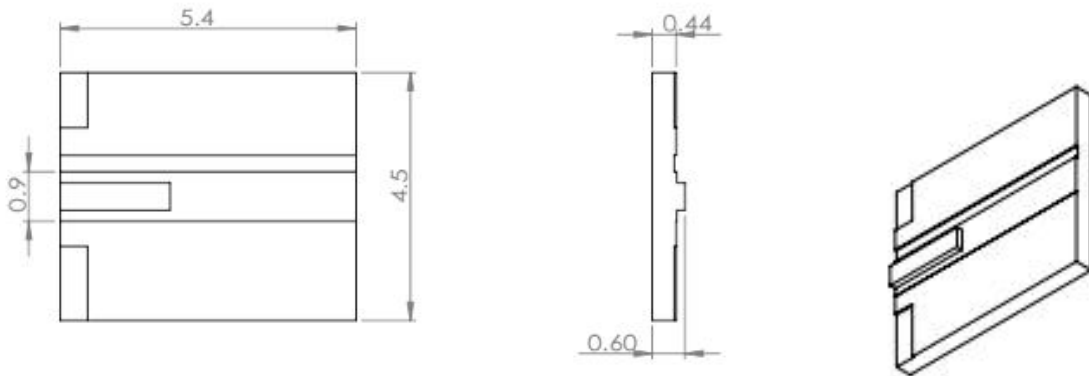


### Parameters ( 20°C )

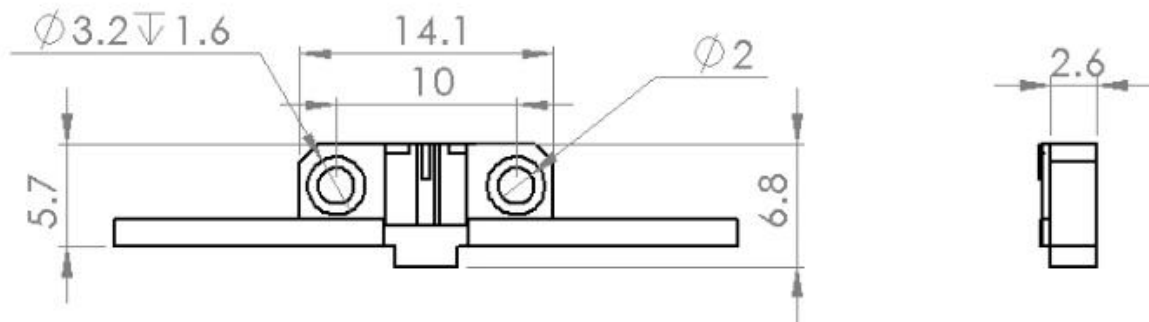
| CoS/F-Mount Packaged Single Emitter |                         |       |                  |
|-------------------------------------|-------------------------|-------|------------------|
|                                     | Parameter               | Unit  | LDM-0915-010W-*3 |
| Optical Parameter                   | Output power            | W     | 10               |
|                                     | Lasing Wavelength       | nm    | 915±15           |
|                                     | Spectral Width          | nm    | 10               |
|                                     | Emitting Area width     | μm    | 100              |
|                                     | Temperature Coefficient | nm/°C | 0.30             |
|                                     | Fast Axis Divergence    | deg   | < 50             |
|                                     | Slow Axis Divergence    | deg   | < 10             |
| Electrical Parameter                | Slope Efficiency        | W/A   | >1.0             |
|                                     | Threshold Current       | A     | <0.8             |
|                                     | Operating Current       | A     | ≤11.00           |
|                                     | Operating Voltage       | V     | ≤2.20            |
| Others                              | Package                 | -     | CoS/F-Mount      |
|                                     | Operating Temperature   | °C    | 15 ~ 30          |
|                                     | Storage Temperature     | °C    | -40 ~ 60         |
|                                     | Welding Temperature     | °C    | ≤260             |



## Package Information

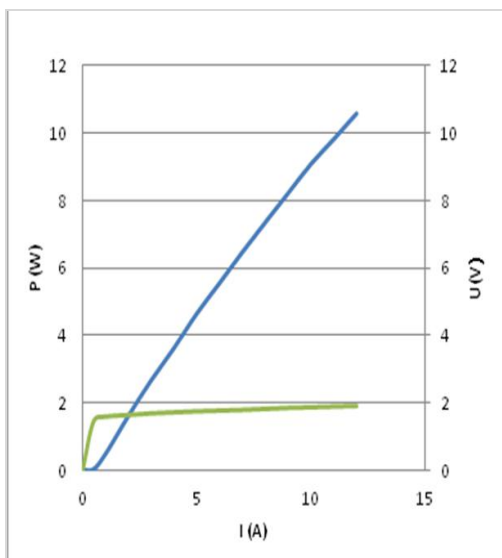


CoS Package

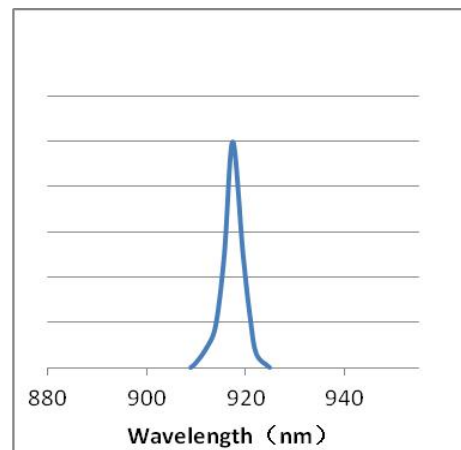


F-Mount Package

## Function Curve



P-I-V Curve



Spectral Curve



## Notice

---

1. Item model notice: LDM (Item model), \*\*\*\* (Center wavelength), \*\*\*\* (Output power), \*\* (Heat sink structure and item width).
2. Data in the sheet are all based on CoS package testing.
3. For more information, please contact Hi-Tech Optoelectronics Co., Ltd.

