

Diode Laser Packaged Single Emitters

830nm 5W (ms pulse)

LDM series packaged single emitters are Fabry-Perot cavity semiconductor lasers based on Quantum-well epitaxy and ridge waveguide structure design. HTOE packaged single emitters provide excellent reliability and performance.

- Center wavelength includes 635nm, 650nm, 670nm, 785nm, 808nm, 830nm, 9xxnm and 1064 nm
- Package designs include TO mounts, CoS mounts, C-mounts and F-mounts
- Provide beam shaping services like fast-axis compression according to customer demands

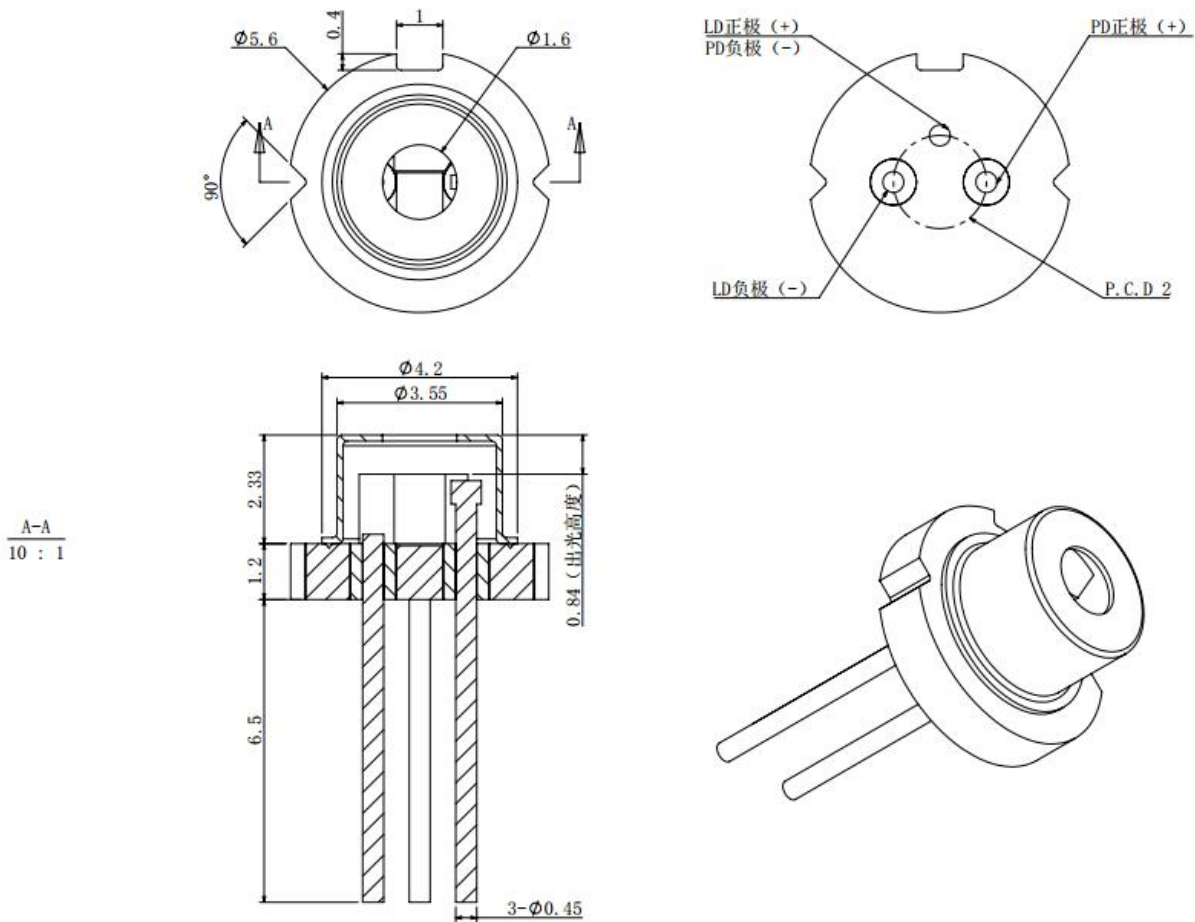


Parameters (20°C)

TOØ56 Packaged Single Emitter					
Item	Parameter	Unit	LDMP-0830-005W-*4		
			Min.	Typical	Max.
Optical Parameter	Output power	W	-	5 (ms pulse)	-
	Lasing Wavelength	nm	820	830	840
	Spectral Width	nm	-	1.80	3.00
	Emitting Area width	µm	-	150	-
	Temperature Coefficient	nm/°C	-	0.3	-
	Fast Axis Divergence	deg (cw-5w)	-	30	40
	Slow Axis Divergence	deg (cw-5w)	-	5	10
	Pulse Width	ms	0	10	-
	Pulse Frequency	Hz	0	10	-
Electrical Parameter	Slope Efficiency	W/A	1.05	1.10	-
	Threshold Current	A	-	0.50	1.00
	Operating Current	A	-	4.90	5.30
	Operating Voltage	V	-	2.50	3.00
Others	Package	-	TOØ56		
	Operating Temperature	°C	10 ~ 50		
	Storage Temperature	°C	-10 ~ 60		

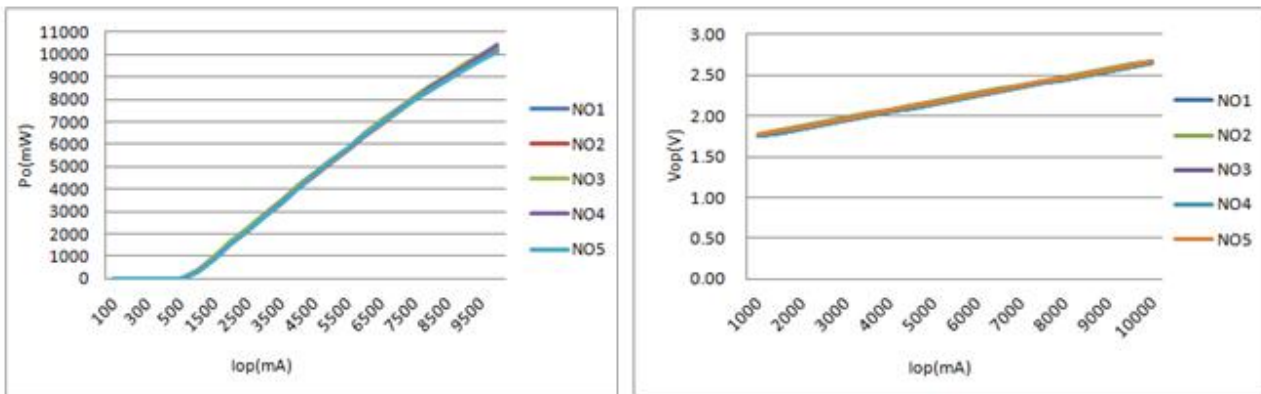


Package Information



T056 Package

Function Curve



P-I-V Curve



Notice

1. Item model notice: LDMP (Item model), **** (Center wavelength), **** (Output power), ** (Heat sink structure and item width).
2. Data in the sheet are all based on TO \emptyset 56 (socket, capless) package testing under 10ms 10Hz pulse condition.
3. For more information, please contact Hi-Tech Optoelectronics Co., Ltd.

