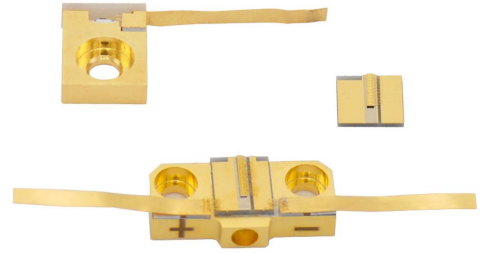


Diode Laser Packaged Single Emitters

808nm 8W

LDM series packaged single emitters are Fabry-Perot cavity semiconductor lasers based on Quantum-well epitaxy and ridge waveguide structure design. HTOE packaged single emitters provide excellent reliability and performance.

- Center wavelength includes 635nm, 650nm, 670nm, 785nm, 808nm, 830nm, 9xxnm and 1064 nm
- Package designs include TO mounts, CoS mounts, C-mounts and F-mounts
- Provide beam shaping services like fast-axis compression according to customer demands

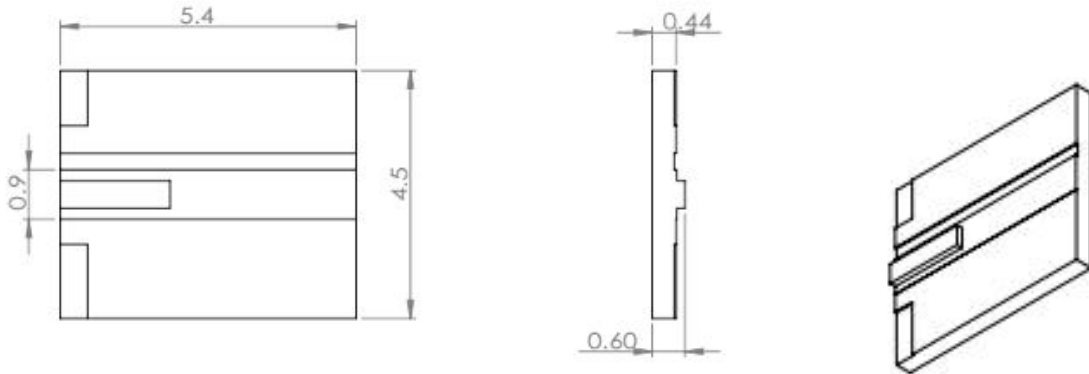


Parameters (20°C)

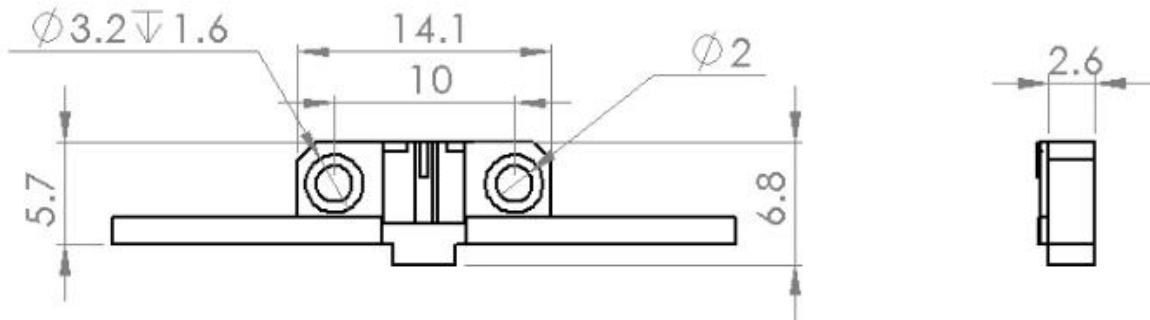
CoS/F-Mount/C-Mount Packaged Single Emitter			
	Parameter	Unit	LDM-0808-008W-*5
Optical Parameter	Output power	W	8
	Lasing Wavelength	nm	808±5
	Spectral Width	nm	≤5
	Emitting Area width	μm	200
	Temperature Coefficient	nm/°C	0.30
	Fast Axis Divergence	deg	< 40
	Slow Axis Divergence	deg	< 10
Electrical Parameter	Slope Efficiency	W/A	≥1.00
	Threshold Current	A	≤1.80
	Operating Current	A	≤10.00
	Operating Voltage	V	≤2.00
Others	Package	-	CoS/F-Mount/C-Mount
	Operating Temperature	°C	15 ~ 30
	Storage Temperature	°C	-40 ~ 60
	Welding Temperature	°C	≤260



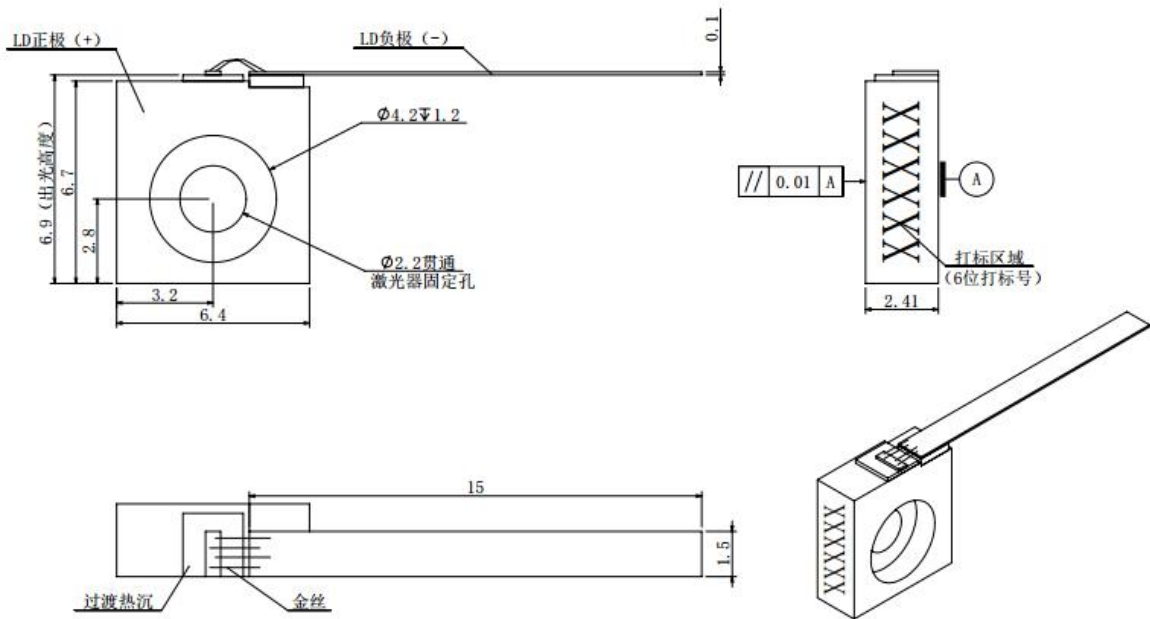
Package Information



CoS Package



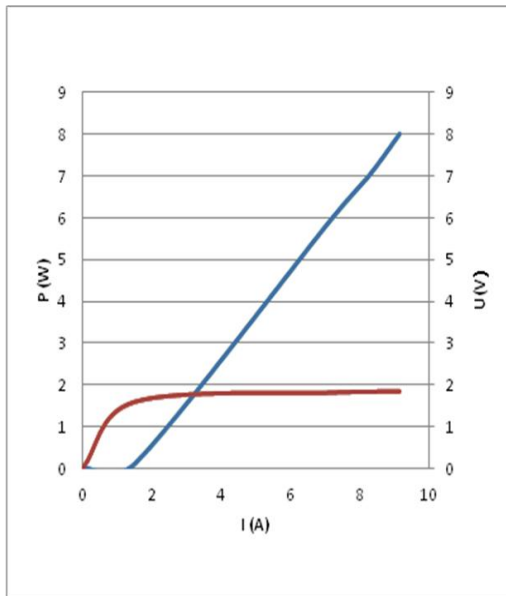
F-Mount Package



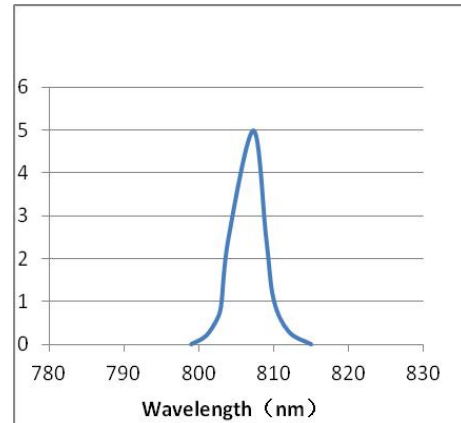
C-Mount Package



Function Curve



P-I-V Curve



Spectral Curve

Notice

1. Item model notice: LDM (Item model), **** (Center wavelength), **** (Output power), ** (Heat sink structure and item width).
2. Data in the sheet are all based on CoS package testing.
3. For more information, please contact Hi-Tech Optoelectronics Co., Ltd.

