

## Diode Laser Packaged Single Emitters

### 808nm 5W

LDM series packaged single emitters are Fabry-Perot cavity semiconductor lasers based on Quantum-well epitaxy and ridge waveguide structure design. HTOE packaged single emitters provide excellent reliability and performance.

- Center wavelength includes 635nm, 650nm, 670nm, 785nm, 808nm, 830nm, 9xxnm and 1064 nm
- Package designs include TO mounts, CoS mounts, C-mounts and F-mounts
- Provide beam shaping services like fast-axis compression according to customer demands

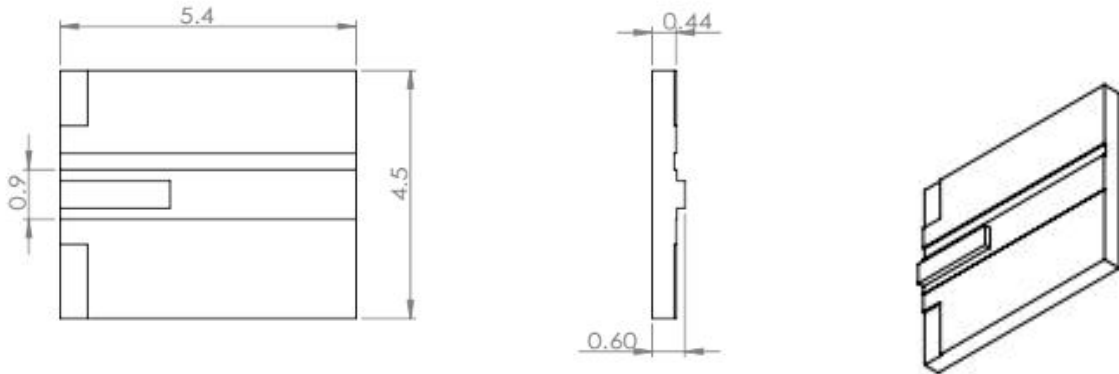


### Parameters ( 20°C )

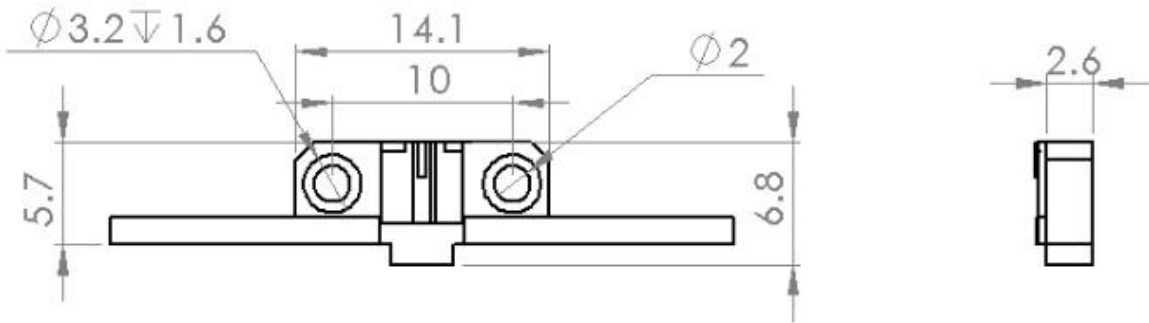
CoS/F-Mount/C-Mount Packaged Single Emitter			
Parameter		Unit	LDM-0808-005W-*5
Optical Parameter	Output power	W	5
	Lasing Wavelength	nm	808±5
	Spectral Width	nm	≤3
	Emitting Area width	μm	200
	Temperature Coefficient	nm/°C	0.30
	Fast Axis Divergence	deg	< 40
	Slow Axis Divergence	deg	< 10
Electrical Parameter	Slope Efficiency	W/A	≥1.00
	Threshold Current	A	≤1.10
	Operating Current	A	≤5.50
	Operating Voltage	V	≤2.0
Others	Package	-	CoS/F-Mount/C-Mount
	Operating Temperature	°C	15 ~ 30
	Storage Temperature	°C	-40 ~ 60
	Welding Temperature	°C	≤260



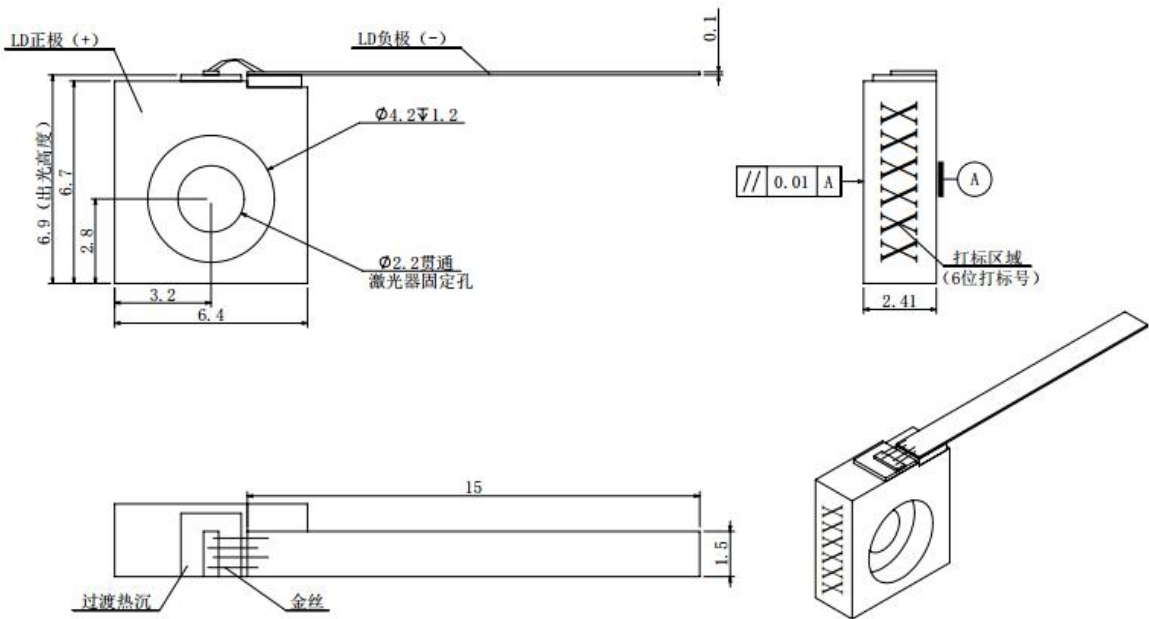
## Package Information



CoS Package



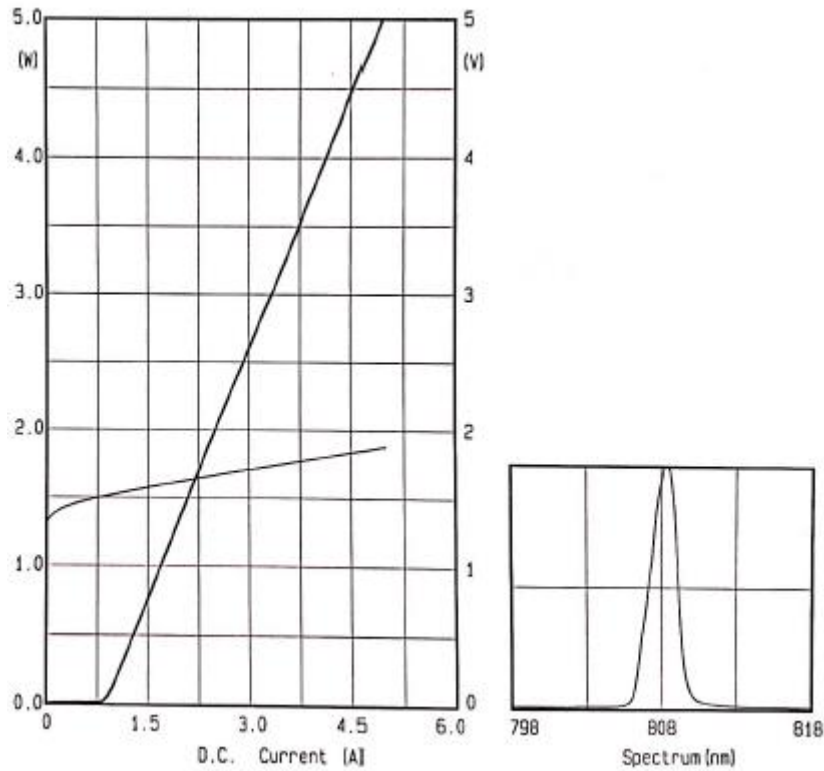
F-Mount Package



C-Mount Package



## Function Curve



P-I-V Curve

Spectral Curve

## Notice

1. Item model notice: LDM (Item model), \*\*\*\* (Center wavelength), \*\*\*\* (Output power), \*\* (Heat sink structure and item width).
2. Data in the sheet are all based on C-mount package heat sink testing.
3. For more information, please contact Hi-Tech Optoelectronics Co., Ltd.

