

Diode Laser Packaged Single Emitters

808nm 1W

LDM series packaged single emitters are Fabry-Perot cavity semiconductor lasers based on Quantum-well epitaxy and ridge waveguide structure design. HTOE packaged single emitters provide excellent reliability and performance.

- Center wavelength includes 635nm, 650nm, 670nm, 785nm, 808nm, 830nm, 9xxnm and 1064 nm
- Package designs include TO mounts, CoS mounts, C-mounts and F-mounts
- Provide beam shaping services like fast-axis compression according to customer demands

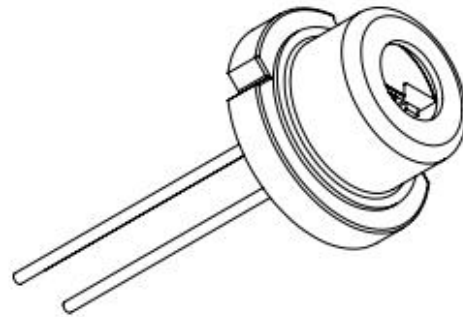
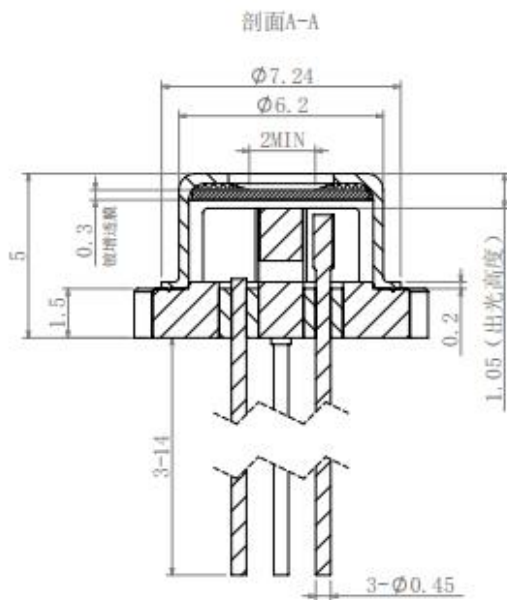
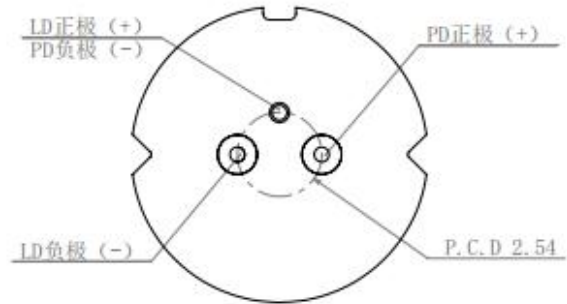
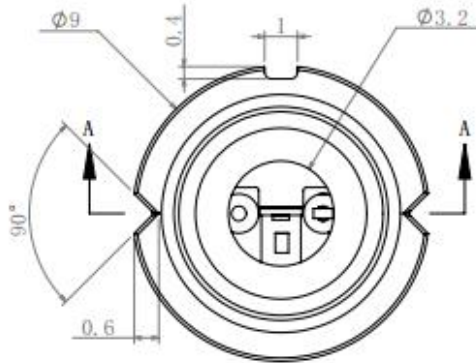


Parameters (20°C)

TOØ9 Packaged Single Emitter					
Item	Parameter	Unit	LDM-0808-001W-*3		
			Min.	Typical	Max.
Optical Parameter	Output power	W	-	1	-
	Lasing Wavelength	nm	804	808	812
	Spectral Width	nm	-	1.0	2.0
	Emitting Area width	µm	-	100	-
	Temperature Coefficient	nm/°C	-	0.30	-
	Fast Axis Divergence	deg	-	30	35
	Slow Axis Divergence	deg	-	5	8
Electrical Parameter	Slope Efficiency	W/A	1.00	-	-
	Threshold Current	A	-	0.15	0.30
	Operating Current	A	-	1.10	1.24
	Operating Voltage	V	-	1.85	2.0
Others	Package	-	TOØ9		
	Operating Temperature	°C	10 ~ 50		
	Storage Temperature	°C	-10 ~ 60		



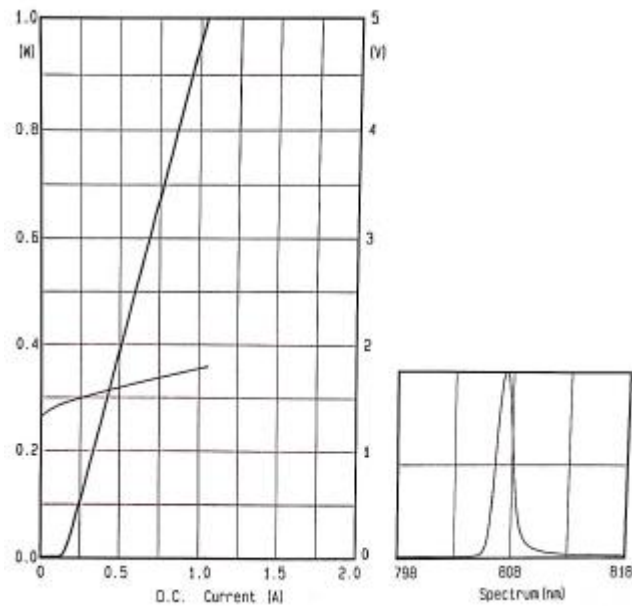
Package Information



TO09 Package



Function Curve



P-I-V Curve

Spectral Curve

Notice

1. Item model notice: LDM (Item model), **** (Center wavelength), **** (Output power), ** (Heat sink structure and item width).
2. Data in the sheet are all based on TO \emptyset 9 package testing.
3. For more information, please contact Hi-Tech Optoelectronics Co., Ltd.

