

## Diode Laser Packaged Single Emitters

### 808nm 500mW

LDM series packaged single emitters are Fabry-Perot cavity semiconductor lasers based on Quantum-well epitaxy and ridge waveguide structure design. HTOE packaged single emitters provide excellent reliability and performance.

- Center wavelength includes 635nm, 650nm, 670nm, 785nm, 808nm, 830nm, 9xxnm and 1064 nm
- Package designs include TO mounts, CoS mounts, C-mounts and F-mounts
- Provide beam shaping services like fast-axis compression according to customer demands

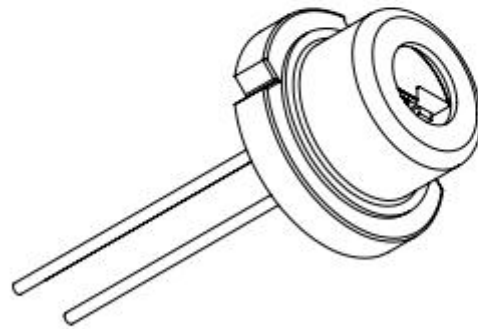
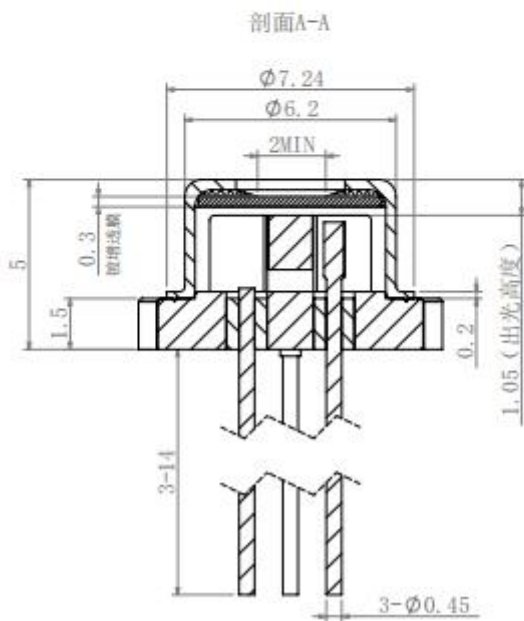
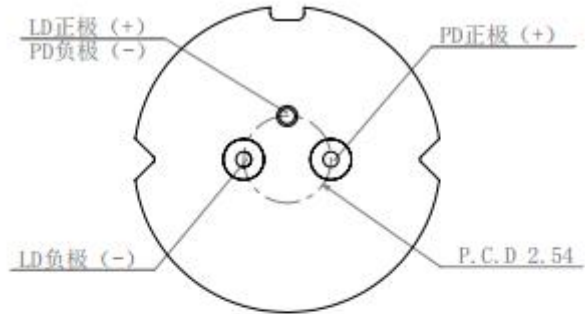
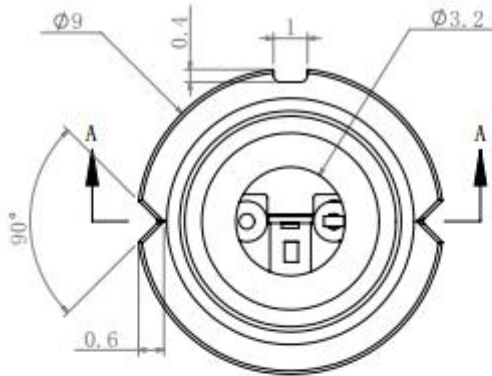


### Parameters ( 20°C )

TO $\varnothing$ 9 Packaged Single Emitter					
Item	Parameter	Unit	LDM-0808-500m-*2		
			Min.	Typical	Max.
Optical Parameter	Output power	mW		500	-
	Lasing Wavelength	nm	804	808	812
	Spectral Width	nm	-	1.0	2.0
	Emitting Area width	$\mu$ m	-	50	-
	Temperature Coefficient	nm/ $^{\circ}$ C	-	0.30	-
	Fast Axis Divergence	deg		34	38
	Slow Axis Divergence	deg	-	7	10
Electrical Parameter	Slope Efficiency	W/A	1.00	-	-
	Threshold Current	A	-	0.10	0.15
	Operating Current	A	-	0.50	0.56
	Operating Voltage	V	-	1.75	2.00
Others	Package	-	TO $\varnothing$ 9		
	Operating Temperature	$^{\circ}$ C	10 ~ 50		
	Storage Temperature	$^{\circ}$ C	-10 ~ 60		



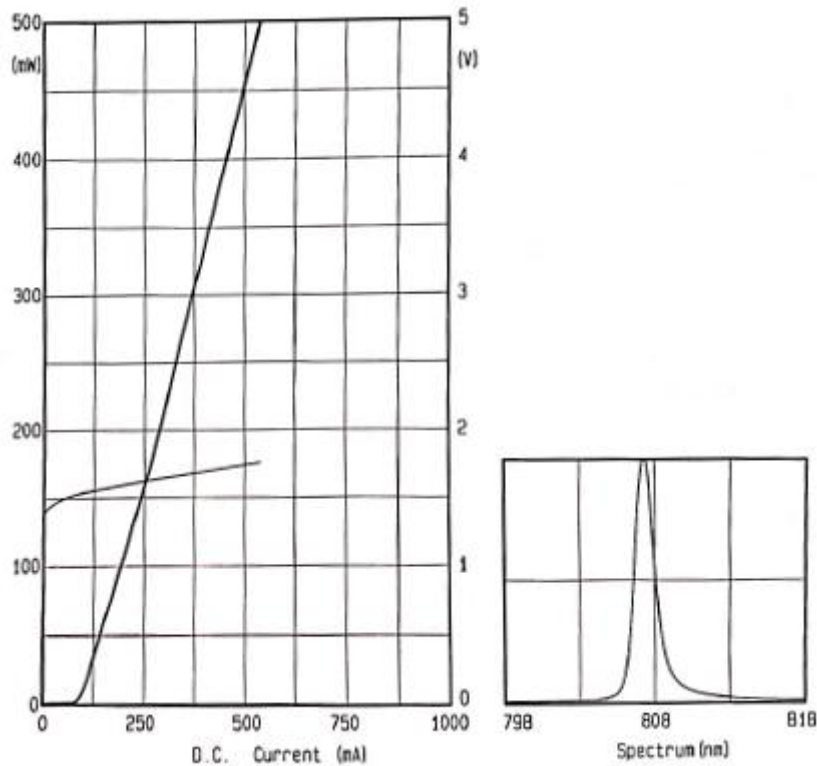
## Package Information



### T009 Package



## Function Curve



P-I-V Curve

Spectral Curve

## Notice

1. Item model notice: LDM (Item model), \*\*\*\* (Center wavelength), \*\*\*\* (Output power), \*\* (Heat sink structure and item width).
2. Data in the sheet are all based on TO $\emptyset$ 9 package testing.
3. For more information, please contact Hi-Tech Optoelectronics Co., Ltd.

