

## Diode Laser Packaged Single Emitters

### 670nm 300mW

LDM series packaged single emitters are Fabry-Perot cavity semiconductor lasers based on Quantum-well epitaxy and ridge waveguide structure design. HTOE packaged single emitters provide excellent reliability and performance.

- Center wavelength includes 635nm, 650nm, 670nm, 785nm, 808nm, 830nm, 9xxnm and 1064 nm
- Package designs include TO mounts, CoS mounts, C-mounts and F-mounts
- Provide beam shaping services like fast-axis compression according to customer demands

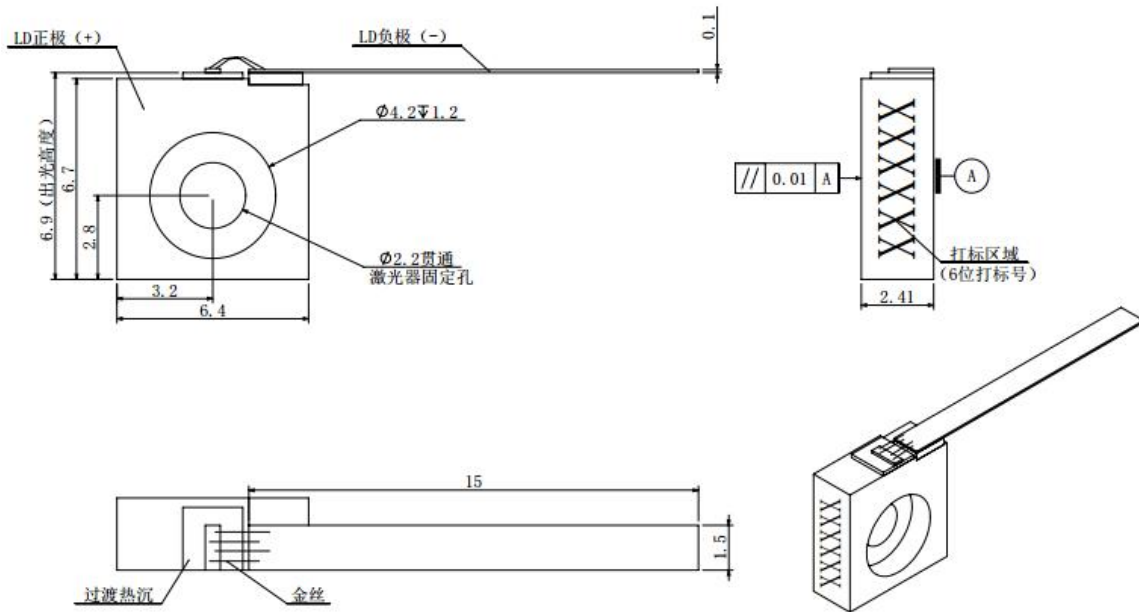


### Parameters ( 20°C )

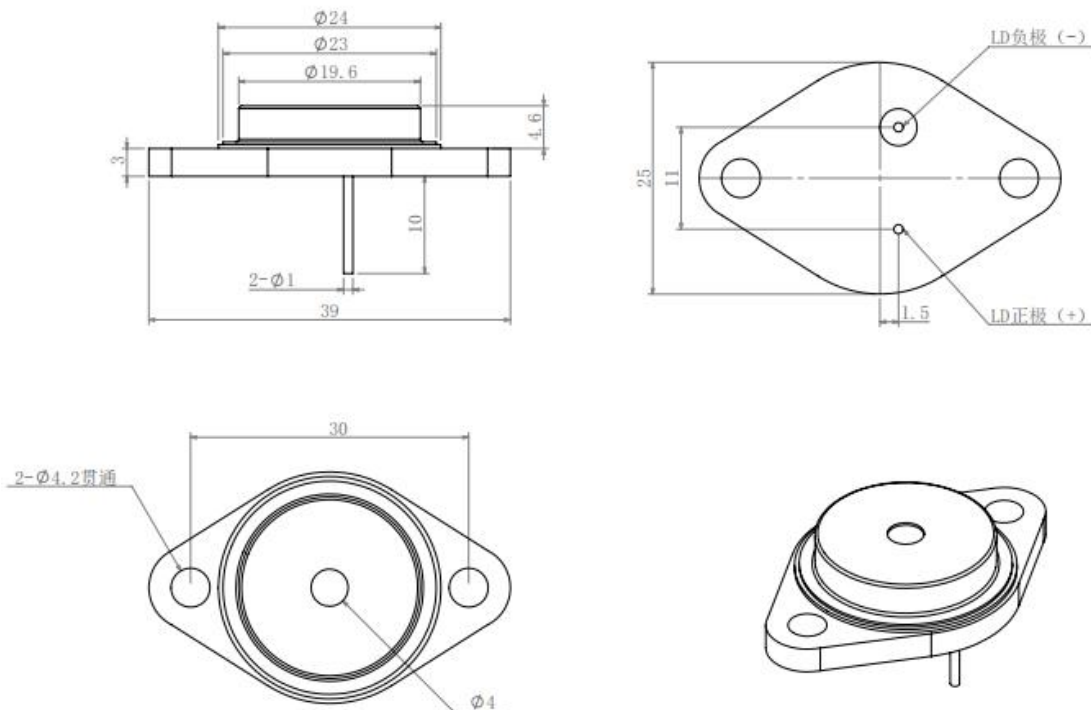
C-Mount/ TOØ3 Packaged Single Emitter					
Item	Parameter	Unit	LDM-0670-300m-*3		
			Min.	Typical	Max.
Optical Parameter	Output power	mW	-	300	-
	Lasing Wavelength	nm	660	670	680
	Spectral Width	nm	-	1.0	2.0
	Emitting Area width	µm	-	100	-
	Temperature Coefficient	nm/°C	-	0.30	-
	Fast Axis Divergence	deg	-	34	38
	Slow Axis Divergence	deg	-	7	10
Electrical Parameter	Slope Efficiency	W/A	0.90	-	-
	Threshold Current	A	-	0.50	0.60
	Operating Current	A	-	0.80	1.00
	Operating Voltage	V	-	2.00	2.30
Others	Package	-	C-Mount/TOØ3		
	Operating Temperature	°C	10 ~ 30		
	Storage Temperature	°C	-10 ~ 60		



## Package Information



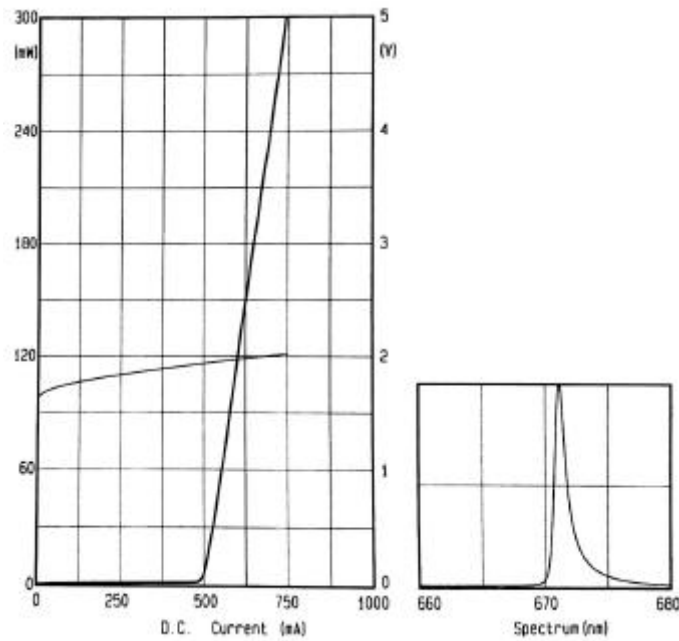
## C-Mount Package



## T003 Package



## Function Curve



P-I-V Curve

Spectral Curve

## Notice

1. Item model notice: LDM (Item model), \*\*\*\* (Center wavelength), \*\*\*\* (Output power), \*\* (Heat sink structure and item width).
2. Data in the sheet are all based on C-mount package heat sink testing.
3. For more information, please contact Hi-Tech Optoelectronics Co., Ltd.

