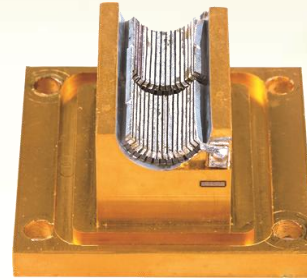


# 808nm Conduction-cooled Laminated Stack

## Introduction

Conduction-cooled laminated array, which can achieve continuous or quasi-continuous high power output, is widely applied in laser pumping, cutting and medical, etc.

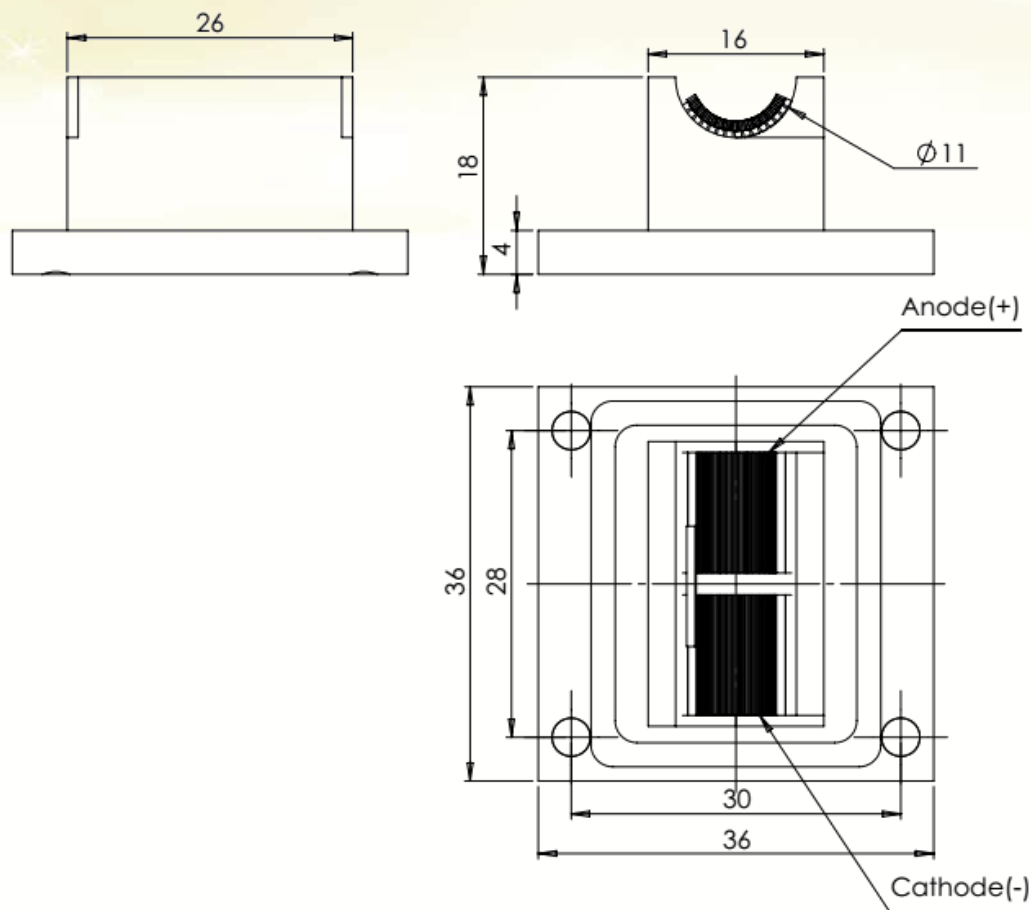


## Parameters (25°C)

Conduction-cooled Laminated Array			
Parameter		Unit	LDAQ2-0808-****
Optical Parameter	Operation Model	-	QCW
	Center Wavelength	nm	808 ± 5
	Output Power/Bar	W	100
	Bar Qty.	bar	3 ~ 15
	Bar Space	mm	0.6/0.8/1.0
	Spectral Width	nm	< 5
	Wavelength& Temperature Ratio	nm/°C	0.28
	Pulse Width	μs	< 250
	Duty Ratio	%	2
	Fast Axis Divergence	deg	< 35
	Slow Axis Divergence	deg	< 10
Electrical Parameter	Threshold Current	A	< 22
	Operating Current	A	< 120
	Operating Voltage/Bar	V	< 2.1
Thermal Parameter	Operating Temperature	°C	15 ~ 35
	Storage Temperature	°C	-10 ~ 60



## Package Information



## Notice

1. Item model notice: LDAQ2( item model)-0808(center wavelength)-\*\*\*\*(output power)
2. Package data is only for reference, which can be customized as client's design drawing.
3. Please make sure laser diode is operated within 15-35°C, as higher temperature will cause increased threshold current, lower exchange rate and accelerate the aging.
4. Please take measure to avoid of condensation, which will cause aging of laser diode.
5. For more information, please contact Hi-Tech Optoelectronics Co., Ltd.

