

Diode Laser Hair Removal Module

Introduction

- ※ High Power, Long Pulse
- ※ Ausn Package, Gilding
- ※ Seal Structure
- ※ Macro-channel Water cooling



Parameters (25°C)

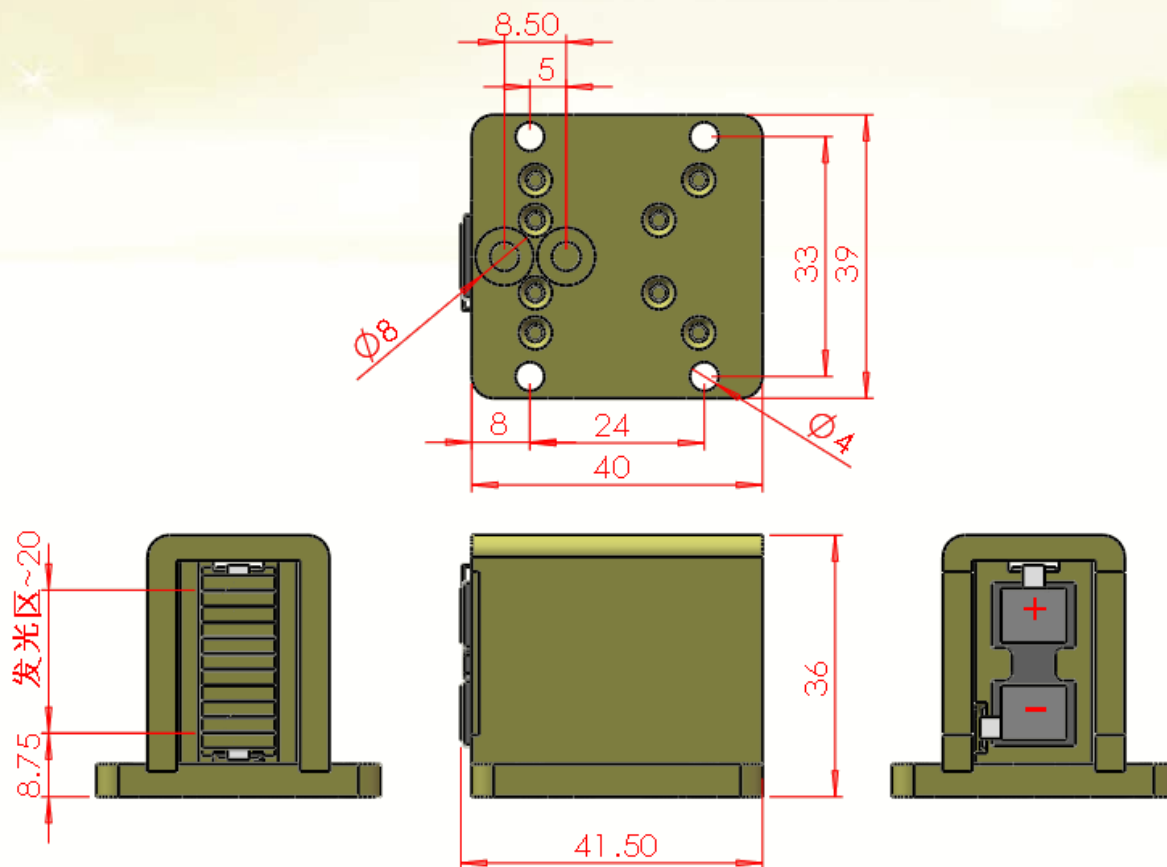
Diode Laser Hair Removal Module				
Parameter	Unit	LDAQ2-0808-****		
Operation Model	-	QCW		
Center Wavelength	nm	808 ± 10		
Output Power	W	250	300	500
Bar Qty	bar	5	6	10
Current	A	≤50	≤50	≤50
Voltage	V/bar	≤2	≤2	≤2
Pulse Width	ms	≤400	≤400	≤400
Duty Ratio	%	≤40	≤40	≤40
Spectral Area	mm × mm	10 × 9	10 × 11	10 × 19.5
Operating Temperature	°C	15~35		
Storage Temperature	°C	-10~50		
Flow Rate	L/min	>3.5		



地址: 北京市昌平区沙河工业园区海特光电有限责任公司
 电话: 010-60769887/72 传真: 010-60769887-699
 网址: www.htoe.com.cn 邮箱: sales@htoe.com.cn



Package Information



- 1、 Item model notice: LDAQ2(item model)-0808(center wavelength)-****(output power)
- 2、 Package data is only for reference, which can be customized as client's design drawing.
- 3、 Please make sure laser diode is operated within 15-35℃, as higher temperature will cause increased threshold current, lower exchange rate and accelerate the aging.
- 4、 Please take measure to avoid of condensation, which will cause aging of laser diode.
- 5、 For more information, please contact Hi-Tech Optoelectronics Co., Ltd.

