

980nm 1W Single Diode Laser(T09-AuSn)

Applications

- Medical Illumination
- Target Indication
- Laser Show
- Stage Lighting

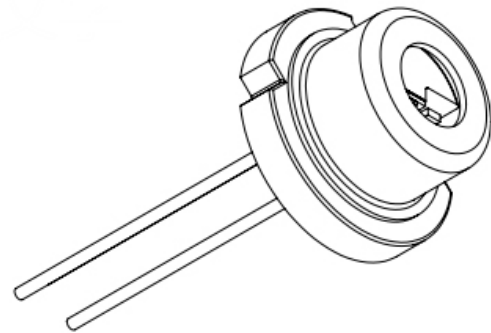
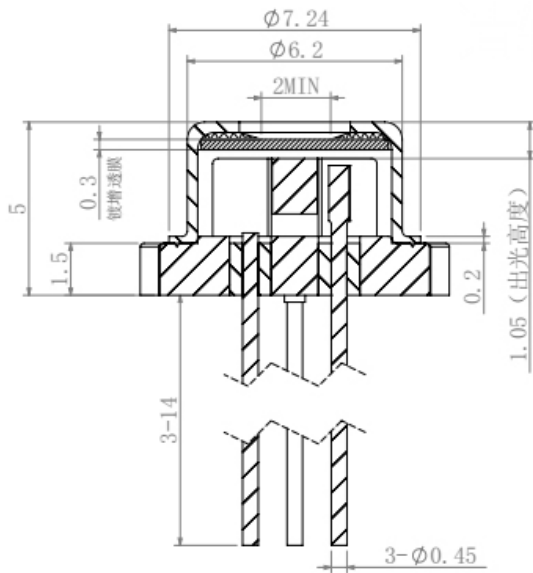
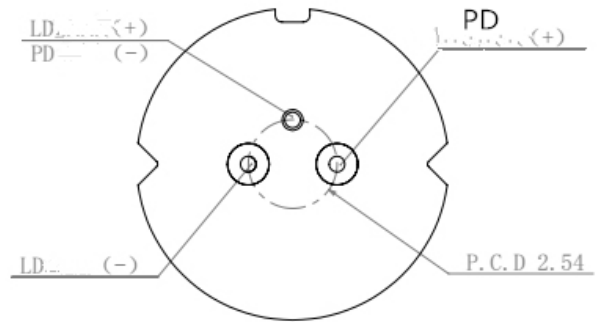
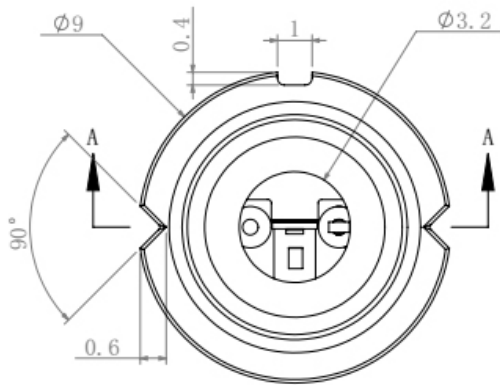


Parameters (20°C)

T09 Package Single Diode Laser (AuSn)					
Item	Parameter	Unit	LDM-0980-001W-*3		
			Min.	Typical	Max.
Optical Parameter	Output power	1W	-	1	-
	Lasing Wavelength	nm	970	980	990
	Spectral Width	nm	-	1.6	3.0
	Emitting Area width	μm	-	100	-
	Temperature Coefficient	nm/°C	-	0.30	-
	Fast Axis Divergence	deg	-	28	35
	Slow Axis Divergence	deg	-	5	8
Electrical Parameter	Slope Efficiency	W/A	0.90	-	-
	Threshold Current	A	-	0.20	0.25
	Operating Current	A	-	1.20	1.30
	Operating Voltage	V	-	1.85	2.00
Others	Package	-	T09		
	Operating Temperature	°C	10 ~ 35		
	Storage Temperature	°C	-10 ~ 60		



Package Information



T09 AuSn Package





海特光电有限责任公司
Hi-Tech Optoelectronics Co., Ltd.

Notice

1. Item model notice: LDM(Item model),***(Center wavelength),***(Output power), **(Heat sink structure and item width).
2. Data in the sheet are all basis on TO9 package heat sink testing.
3. For more information, please contact Hi-Tech Optoelectronics Co., Ltd.



Add: Shahe Industrial Park, Changping District, Beijing, China
Tel: +86-10-6076 9887 Fax: +86-10-6076 9887-699
Web: www.htoe.com.cn Email: sales@htoe.com.cn

