

830nm 1W Single Diode Laser

Applications

- Medical illumination
- Target Indication
- Laser Show
- Stage Lighting

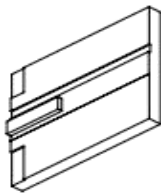
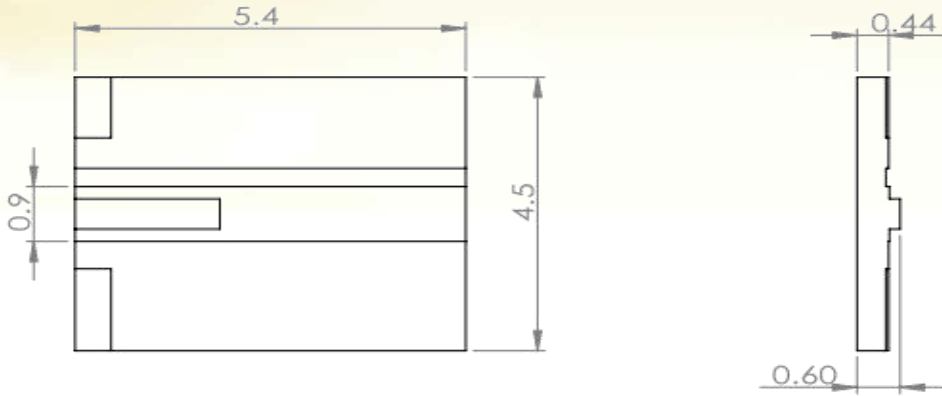


Parameters (20°C)

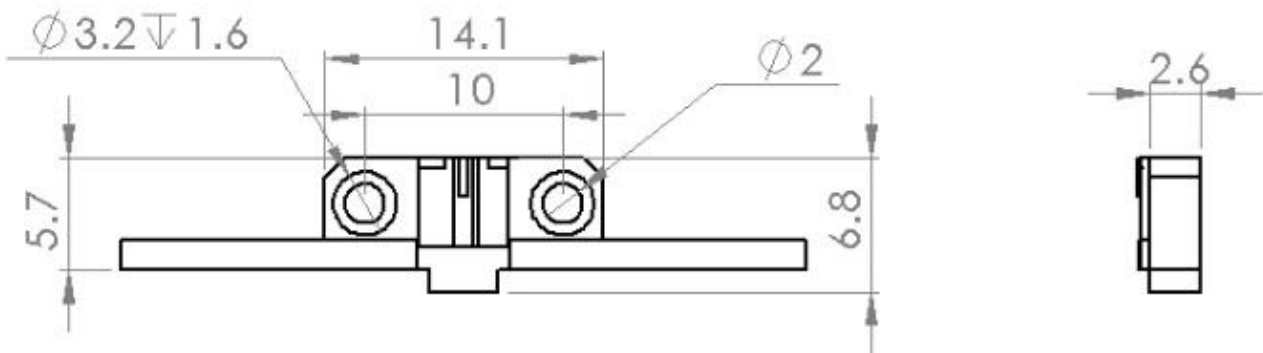
| COS/F Package Single Laser Diode | | | |
|----------------------------------|-------------------------|-------|-------------------|
| Parameter | | Unit | LDMC-0830-001W-*2 |
| Optical Parameter | Output power | W | 1 |
| | Lasing Wavelength | nm | 830±10 |
| | Spectral Width | nm | ≤3 |
| | Emitting Area width | μm | 50 |
| | Temperature Coefficient | nm/°C | 0.30 |
| | Fast Axis Divergence | deg | <40 |
| | Slow Axis Divergence | deg | <10 |
| Electrical Parameter | Slope Efficiency | W/A | ≥1.03 |
| | Threshold Current | A | ≤0.30 |
| | Operating Current | A | ≤1.20 |
| | Operating Voltage | V | <2.00 |
| Others | Package | - | COS/F Package |
| | Operating Temperature | °C | 15 ~ 30 |
| | Storage Temperature | °C | -40 ~ 60 |



Package Information



COS Package



F Package





海特光电有限责任公司
Hi-Tech Optoelectronics Co.,Ltd.

Notice

1. Item model notice: LDM(Item model),****(Center wavelength),****(Output power), **(Heat sink structure and item width).
2. Data in the sheet are all basis on C-mount package heat sink testing.
3. For more information, please contact Hi-Tech Optoelectronics Co., Ltd.



Add: Shahe Industrial Park, Changping District, Beijing, China
Tel: +86-10-6076 9887 Fax: +86-10-6076 9887-699
Web: www.htoe.com.cn Email: sales@htoe.com.cn

