

808nm 2W Single Diode Laser(In)

Applications

- Medical Illumination
- Target Indication
- Laser Show
- Stage Lighting

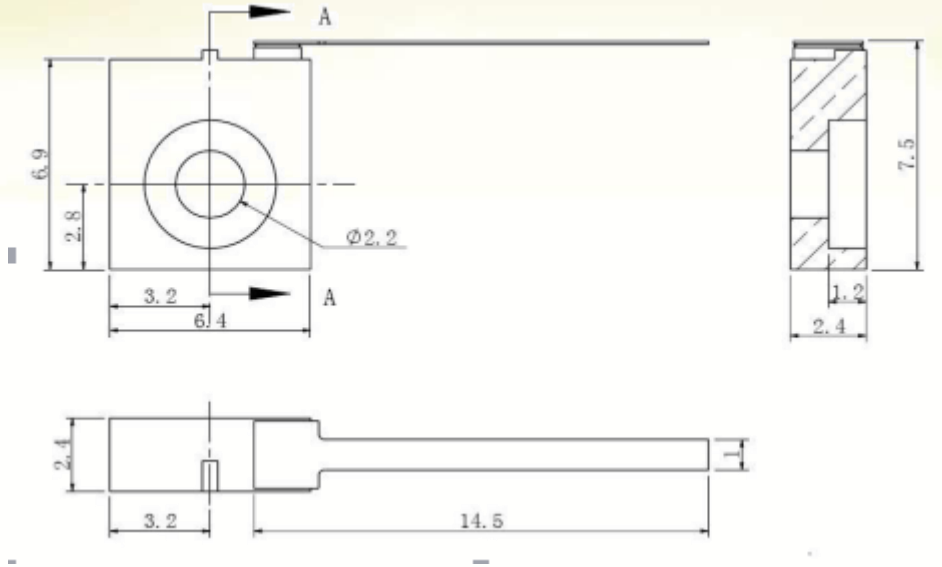


Parameters (25°C)

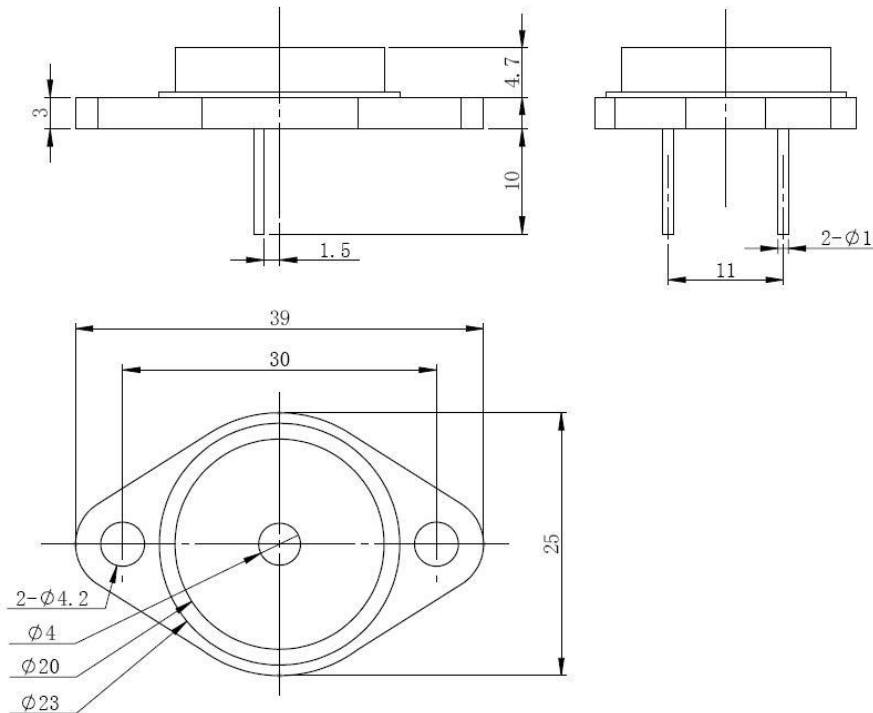
| C-Mount/ TO3 Package Single Diode Laser (In) | | | | | |
|--|-------------------------|-------|----------------|---------|------|
| Item | Parameter | Unit | LDM-0808-2W-*3 | | |
| | | | Min. | Typical | Max. |
| Optical Parameter | Output power | W | - | 1 | - |
| | Lasing Wavelength | nm | 803 | 808 | 813 |
| | Spectral Width | nm | - | 1.8 | 3 |
| | Emitting Area width | μm | - | 100 | - |
| | Temperature Coefficient | nm/°C | - | 0.30 | - |
| | Fast Axis Divergence | deg | - | 34 | 38 |
| | Slow Axis Divergence | deg | - | 7 | 10 |
| Electrical Parameter | Slope Efficiency | W/A | 1.10 | - | - |
| | Threshold Current | A | - | 0.44 | 0.50 |
| | Operating Current | A | - | 1.95 | 2.10 |
| | Operating Voltage | V | - | 1.85 | 2.00 |
| Others | Package | - | C-Mount/TO3 | | |
| | Operating Temperature | °C | 10 ~ 50 | | |
| | Storage Temperature | °C | -10 ~ 60 | | |



Package Information



C-Mount Package



T03 Package



Add: Shahe Industrial Park, Changping District, Beijing, China
Tel: +86-10-6076 9887 Fax: +86-10-6076 9887-699
Web: www.htoe.com.cn Email: sales@htoe.com.cn



VISIBLE AND INVISIBLE LASER RADIATION
AVOID EYE OR SKIN EXPOSURE TO
DIRECT OR SCATTERED RADIATION!
CLASS 4 LASER PRODUCT



海特光电有限责任公司
Hi-Tech Optoelectronics Co.,Ltd.

Notice

1. Item model notice: LDM(Item model),****(Center wavelength),****(Output power), **(Heat sink structure and item width).
2. Data in the sheet are all basis on C-mount package sub-mount testing.
3. For more information, please contact Hi-Tech Optoelectronics Co., Ltd.



Add: Shahe Industrial Park, Changping District, Beijing, China
Tel: +86-10-6076 9887 Fax: +86-10-6076 9887-699
Web: www.htoe.com.cn Email: sales@htoe.com.cn

