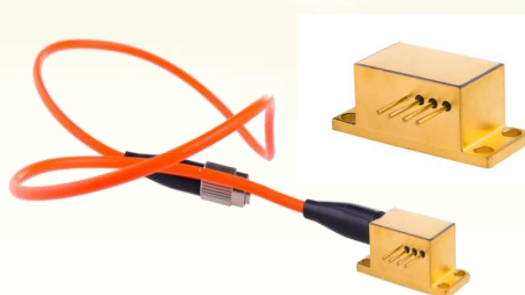


980nm 2W Assembly

Introduction

This item has coupled laser of laser diode to achieve beam output, which can be adopted in laser illumination, medical and science research, etc.

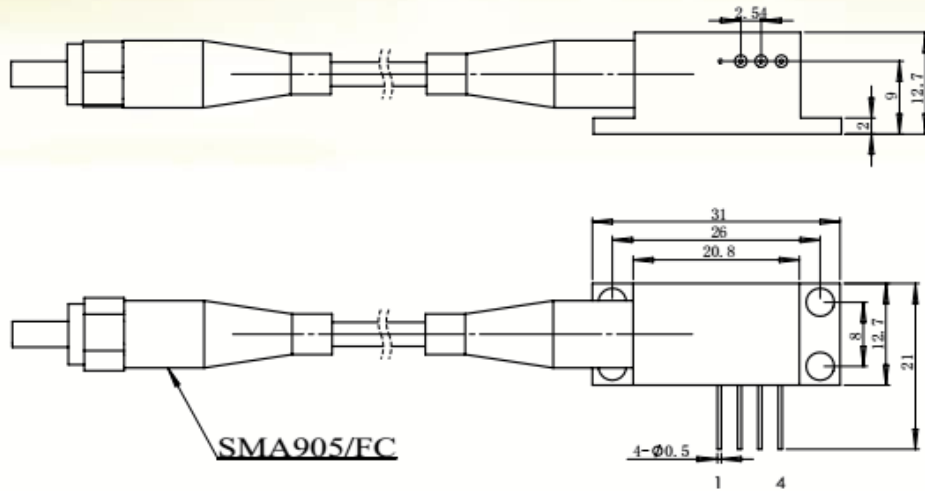


Parameters (20°C)

980nm 2W Assembly			
Parameter		Unit	FLMM-0980-7*1-002W
Optical Parameter	Output Power	W	2
	Center Wavelength	nm	980±10
	Spectral Width(FWHM)	nm	< 5.00
	Wavelength Shift with Coefficient	nm/°C	0.30
Electrical Parameter	Slope Efficiency	W/A	>0.10
	Threshold Current	A	≤0.50
	Operating Current	A	≤2.50
	Operating Voltage	V	<2.50
Fiber Parameter	Fiber Core Diameter	μm	100
	Numerical Aperture	-	0.22
	Fiber Length	m	1
	Connector	-	FC/SMA-905
	Operating Temperature	°C	15 ~ 25
	Storage Temperature	°C	-10 ~ 60
Package	P1-Package/HHL		

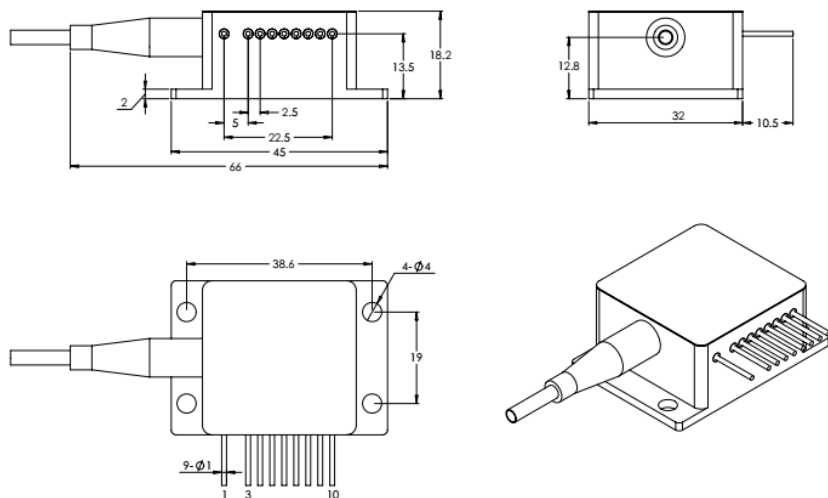


Package Information



PIN	1	2	3	4
Function	LD(+)	LD(-)	PD	PD

P1-Package 封装



HHL 封装



Add: Shahe Industrial Park, Changping District, Beijing, China
Tel: +86-10-6076 9887 Fax: +86-10-6076 9887-699
Web: www.htoe.com.cn Email: sales@htoe.com.cn





海特光电有限责任公司
Hi-Tech Optoelectronics Co.,Ltd.

Notice

1. Item notice: FLMM(Item)--****(wavelength)-****(Package connector coolant)-****(optical output power).
2. Customized service includes Wavelength, output power, connector and fiber parameters.
3. More information,please contact Hi-Tech Optoelectronics Co., Ltd.



Add: Shahe Industrial Park, Changping District, Beijing, China
Tel: +86-10-6076 9887 Fax: +86-10-6076 9887-699
Web: www.htoe.com.cn Email: sales@htoe.com.cn

