

808nm 10W Assembly

Introduction

This item has coupled laser of laser diode to achieve beam output, which can be adopted in laser illumination, medical and science research, etc.

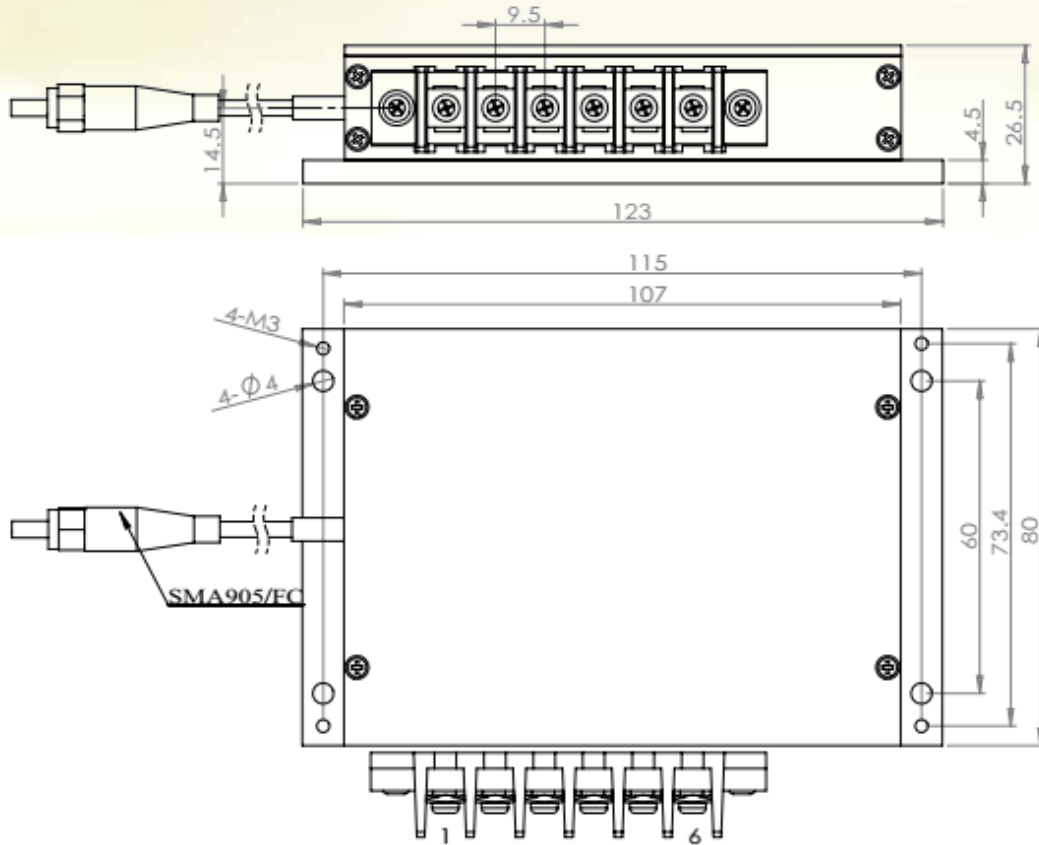


Parameters (20°C)

808nm 10W Assembly			
Parameter		Unit	FLMM-0808-8**-010W
Optical Parameter	Output Power	W	10
	Center Wavelength	nm	808±10
	Spectral Width(FWHM)	nm	< 10
	Wavelength Shift with Coefficient	nm/°C	0.30
Electrical Parameter	Slope Efficiency	W/A	>6.00
	Threshold Current	A	≤0.50
	Operating Current	A	≤2.00
	Operating Voltage	V	<14.00
Fiber Parameter	Fiber Core Diameter	μm	375
	Numerical Aperture	-	0.22
	Fiber Length	m	1
	Connector	-	FC/SMA-905
	Operating Temperature	°C	15 ~ 25
	Storage Temperature	°C	-10 ~ 60
Package	P2A/P2B-Package		



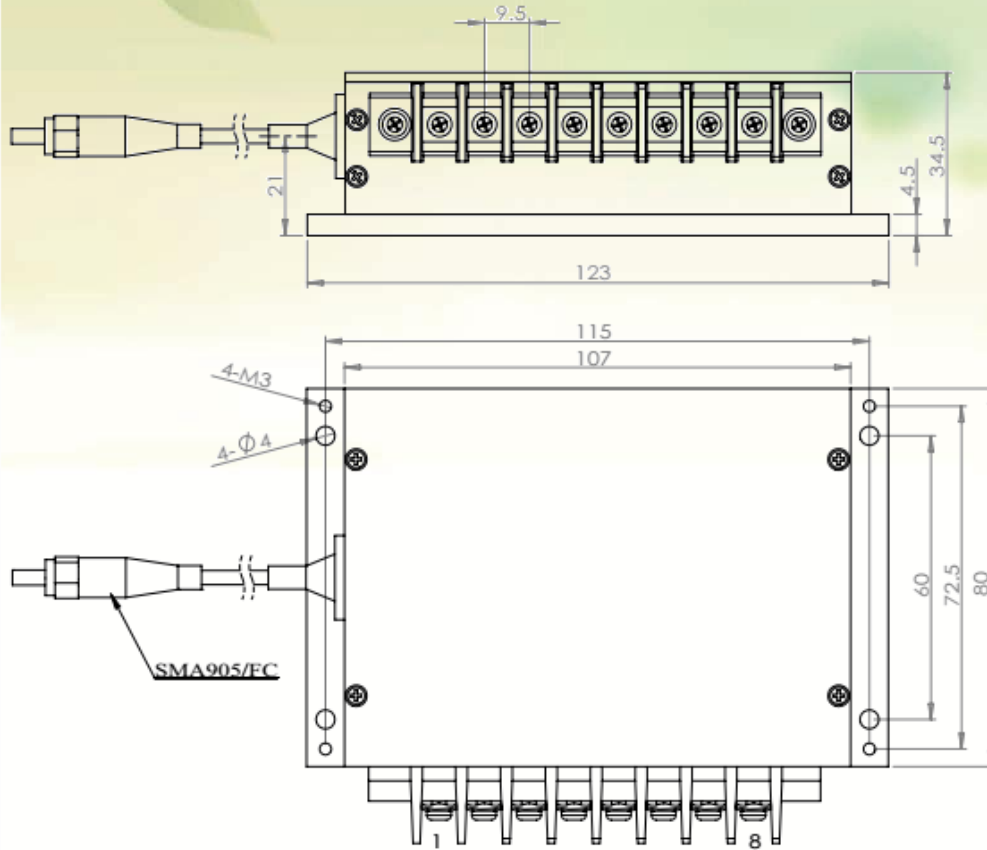
Package Information



PIN	1	2	3	4	5	6
Function	LD(+)	LD(-)	Aiming LD(+)	Aiming LD(-)	Thermistor	Thermistor

P2A-Package





PIN	1	2	3	4	5	6	7	8
Function	LD(+)	LD(-)	Aiming LD(+)	Aiming LD(-)	TEC(+)	TEC(-)	Thermistor	Thermistor

P2B-Package

Notice

1. Item notice: FLMM(Item)--***(wavelength)--***(Package connector coolant)--***(optical output power).
2. Customized service includes Wavelength, output power, connector and fiber parameters.
3. More information, please contact Hi-Tech Optoelectronics Co., Ltd.

