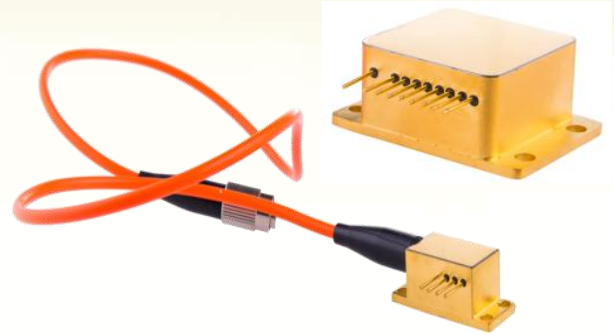


# 650nm 200mW Assembly

## Introduction

This item has coupled laser of laser diode to achieve beam output, which can be adopted in laser illumination, medical and science research, etc.

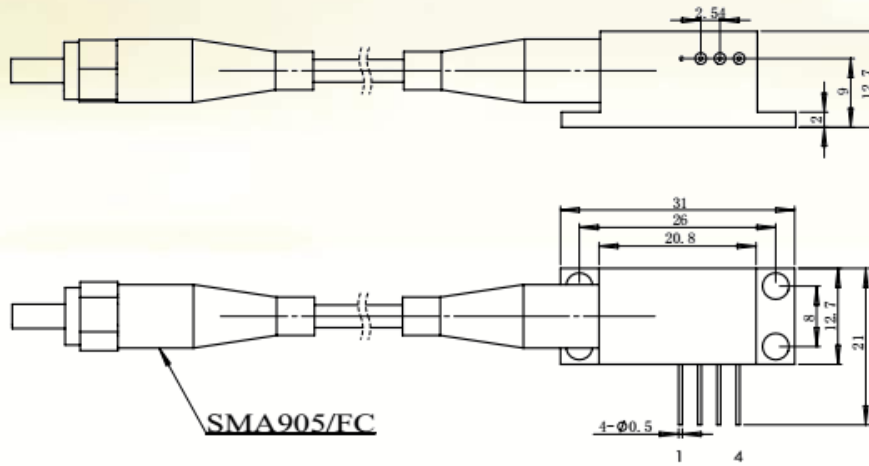


## Parameters (20°C)

650nm 200mW Assembly			
Parameter		Unit	FLMM-0635-7*1-200m
Optical Parameter	Output Power	mW	200
	Center Wavelength	nm	650±15
	Spectral Width(FWHM)	nm	< 3
	Wavelength Shift with Coefficient	nm/°C	0.30
Electrical Parameter	Slope Efficiency	W/A	>0.40
	Threshold Current	A	≤0.70
	Operating Current	A	≤1.10
	Operating Voltage	V	<2.30
Fiber Parameter	Fiber Core Diameter	μm	100
	Numerical Aperture	-	0.22
	Fiber Length	m	1
	Connector	-	FC/SMA-905
	Operating Temperature	°C	15 ~ 25
	Storage Temperature	°C	-10 ~ 60
Package	P1-Package/HHL		

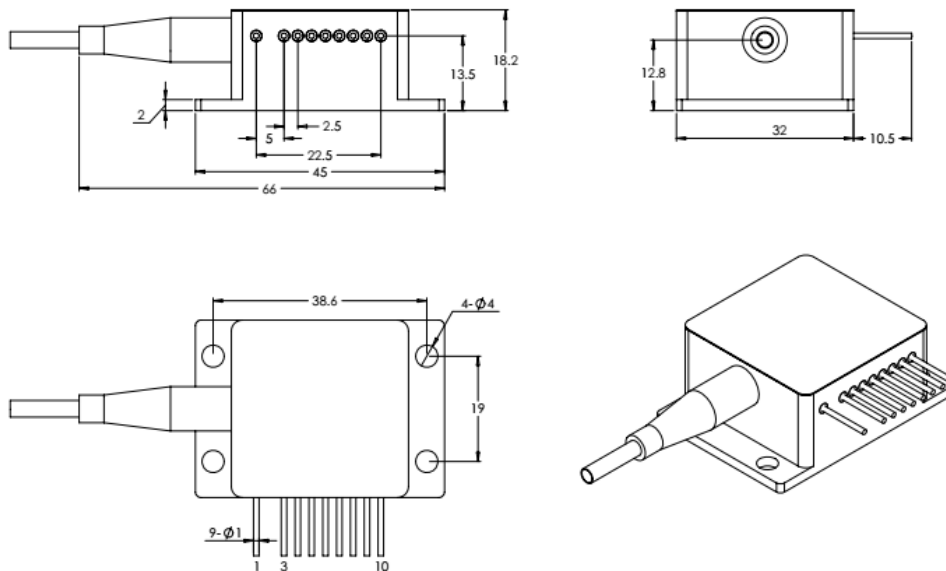


## Package Information



PIN	1	2	3	4
Function	LD(+)	LD(-)	PD	PD

## P1-Package



## HHL Package



Add: Shahe Industrial Park, Changping District, Beijing, China  
Tel: +86-10-6076 9887 Fax: +86-10-6076 9887-699  
Web: www.htoe.com.cn Email: sales@htoe.com.cn





海特光电有限责任公司  
Hi-Tech Optoelectronics Co.,Ltd.

## Notice

---

1. Item notice: FLMM(Item)--\*\*\*( wavelength )-\*\*\*( Package connector coolant )-\*\*\*( optical output power ).
2. Customized service includes Wavelength, output power, connector and fiber parameters.
3. More information, please contact Hi-Tech Optoelectronics Co., Ltd.



Add: Shahe Industrial Park, Changping District, Beijing, China  
Tel: +86-10-6076 9887 Fax: +86-10-6076 9887-699  
Web: [www.htoe.com.cn](http://www.htoe.com.cn) Email: [sales@htoe.com.cn](mailto:sales@htoe.com.cn)

