

200W DPL Module

Item Introduction

DPL is abbreviated to Diode Pump Solid State Laser, in which laser diode is adopted as the pumping optical source. As compared with former Xenon lamp pumping laser diode, its features are construction more compact, more applicable and longer lifespan, which is widely used in laser marking, medical, cutting and laser texturing.

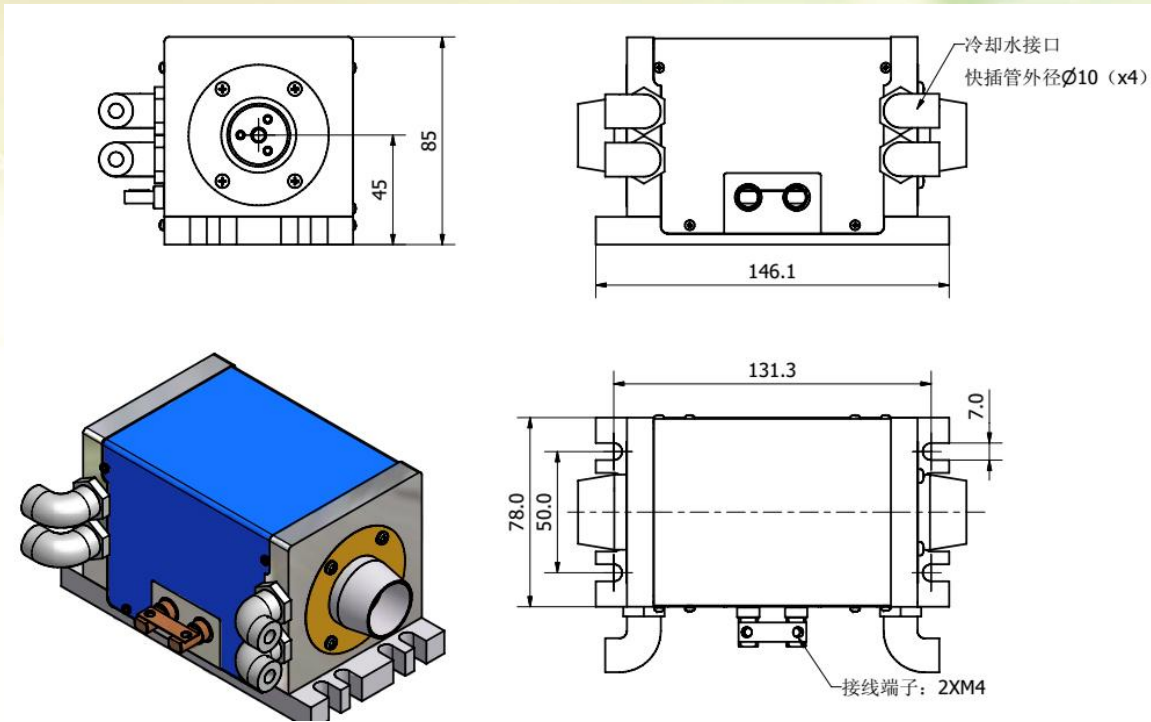


Parameters (20°C)

200W DPL Module			
Parameters		Unit	200W(unified beam)
Optical Parameter	CW Output power	W	≥ 200
	Center Wavelength	nm	1064
	Emitting height	mm	45
Electrical Parameter	Threshold Current I_{th}	A	≤ 11
	Operating Current I_o	A	≤ 32
	Forward Bias Voltage	V	≤ 50
Optical Parameter	Operating Temperature	°C	21±3
	Storage Temperature	°C	5 ~ 50
	Water Current	LMP	6~ 10
	Water Pressure	MPa	≤ 0.6
Others	Crystal Rod Size	mm	Φ5*130
	Weight	KG	≤ 4.0

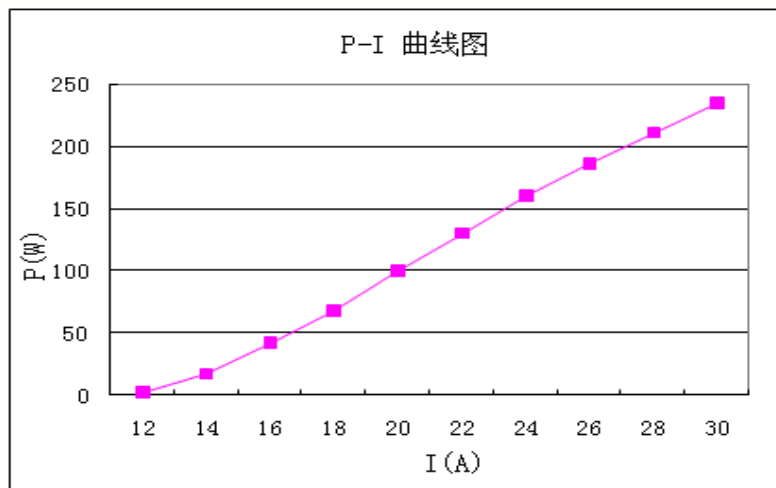


Package Information



Function Curve

Curve data is basis on following testing: Cavity length is 450nm, output mirror transmission is 20%, operating temperature is 20°C.





海特光电有限责任公司
Hi-Tech Optoelectronics Co.,Ltd.

Notice

For more information, please contact Hi-Tech Optoelectronics Co., Ltd.



Add: Shahe Industrial Park, Changping District, Beijing, China
Tel: +86-10-6076 9887 Fax: +86-10-6076 9887-699
Web: www.htoe.com.cn Email: sales@htoe.com.cn

