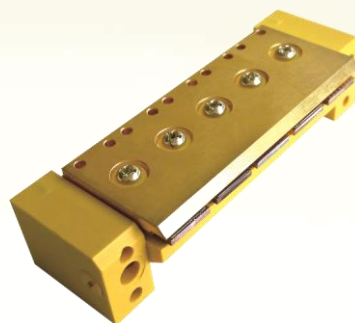


808nm Micro-channel Water-cooled Horizontal Laminated Stack

Introduction

Laser Diode Micro-channel water-cooled horizontal laminated array, which can achieve continuous high power output, is widely applied in laser pumping, cutting and medical, etc.

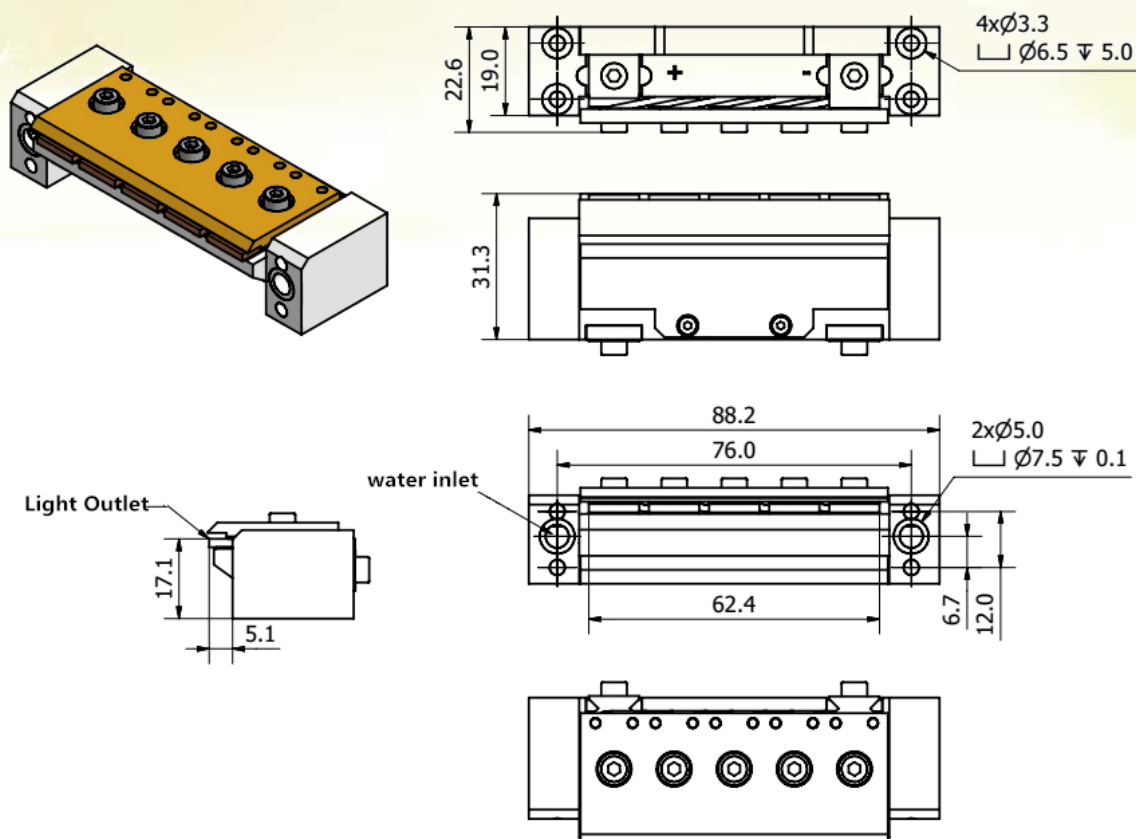


Parameters (25°C)

Micro-channel Water-cooled horizontal laminated Stack					
Parameter		Unit	LDAC2-0808-****		
Optical Parameter	Operation Model	-	CW		
	Center Wavelength	nm	808 ± 5		
	Output Power/Bar	W	40	60	100
	Bar Qty.	bar	5/9/16	5/9/16	5/9/16
	Bar Space	mm	1.8	1.8	1.8
	Spectral Width	nm	< 5	< 5	< 5
	Fast Axis Divergence	deg	< 35	< 39	< 35
	Slow Axis Divergence	deg	< 10	< 8	< 10
Electrical Parameter	Operating Voltage/Bar	V	< 2.0	< 2.0	< 1.9
Thermal Parameter	Max. Inlet Pressure	psi	65		
	Cooling rate/Bar	l/min	≥ 0.3		
	Cooling Medium Particle size	μm	≤ 15		
	Cooling Medium Conductivity	μs/cm	5 ~ 10		
	Operating Temperature	°C	15 ~ 35		
	Storage Temperature	°C	-10 ~ 60		



Package Information



Notice

1. Item model notice: LDAQ2(item model)-8080(center wavelength)-****(output power)
2. Package data is only for reference, which can be customized as client's design drawing.
3. Please make sure laser diode is operated within 15-35°C, as higher temperature will cause increased threshold current, lower exchange rate and accelerate the aging.
4. Please take measure to avoid of condensation, which will cause aging of laser diode.
5. For more information, please contact Hi-Tech Optoelectronics Co., Ltd.

